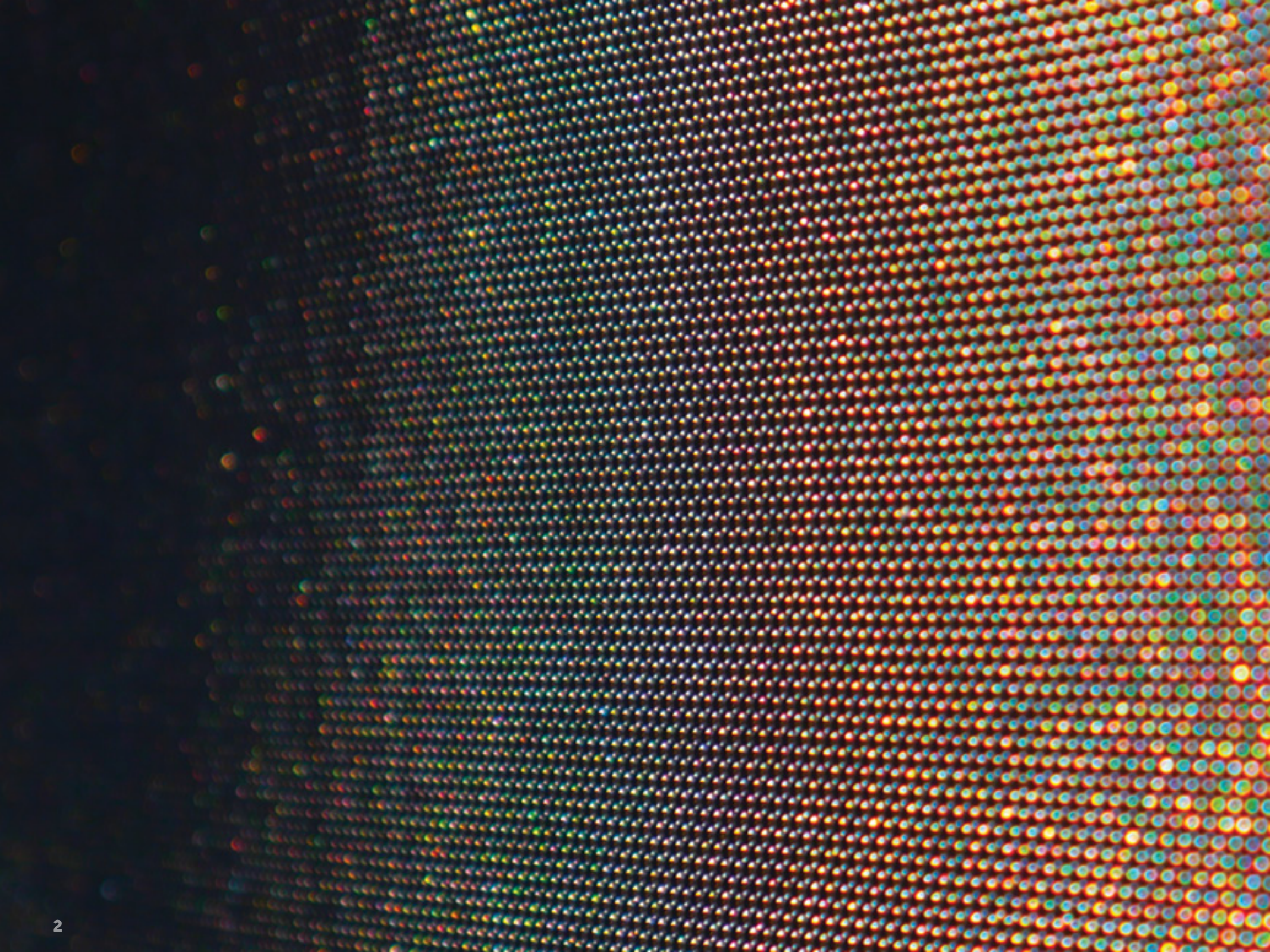


LIGHT IS
Our
Work
FILTERING THE SUN SINCE 1968



P R O D U C T C A T A L O G



OUR BUSINESS IS CREATING
PERFECT LIGHT AND PRIVACY.

Rolling up our sleeves and rolling out
truly turnkey shading systems.

Optimizing spaces.

Revealing details.

Mixing form and function.

Simply. Reliably. Beautifully.

From innovative design solutions
through smart automation—we make
high-quality window coverings for
hospitality, commercial, civic, medical,
education, multi-family and high-end
residential projects.

We are committed to exceptional service.

L I G H T I S O U R W O R K



Our Headquarters





IT ALL STARTED IN A SUBURBAN BASEMENT IN 1968.

Mary Lou Ralston started putting her exceptional sewing skills to work making beautiful and functional drapes for people she knew. The window coverings were so lovely, and worked so well, that those friends referred her to their friends, and their friends to new friends, and so on...and a business was born.

Today, Lutek Shading Systems is a multi-million dollar company crafting innovative light filtering systems for some of the most progressive companies and impressive residences in the world. Run by Mary Lou’s daughter, Kelli Beckish, Lutek remains a woman-owned, family business, manufacturing top-quality textiles in Colorado.

With a brilliant team of creative designers and engineers in house at a new state-of-the art headquarters, Lutek offers a level of ingenuity and personalized service unsurpassed in the window-covering industry.

By manufacturing and installing in the US, we ensure extraordinary products and responsive service. We’re here to make your project a great success.

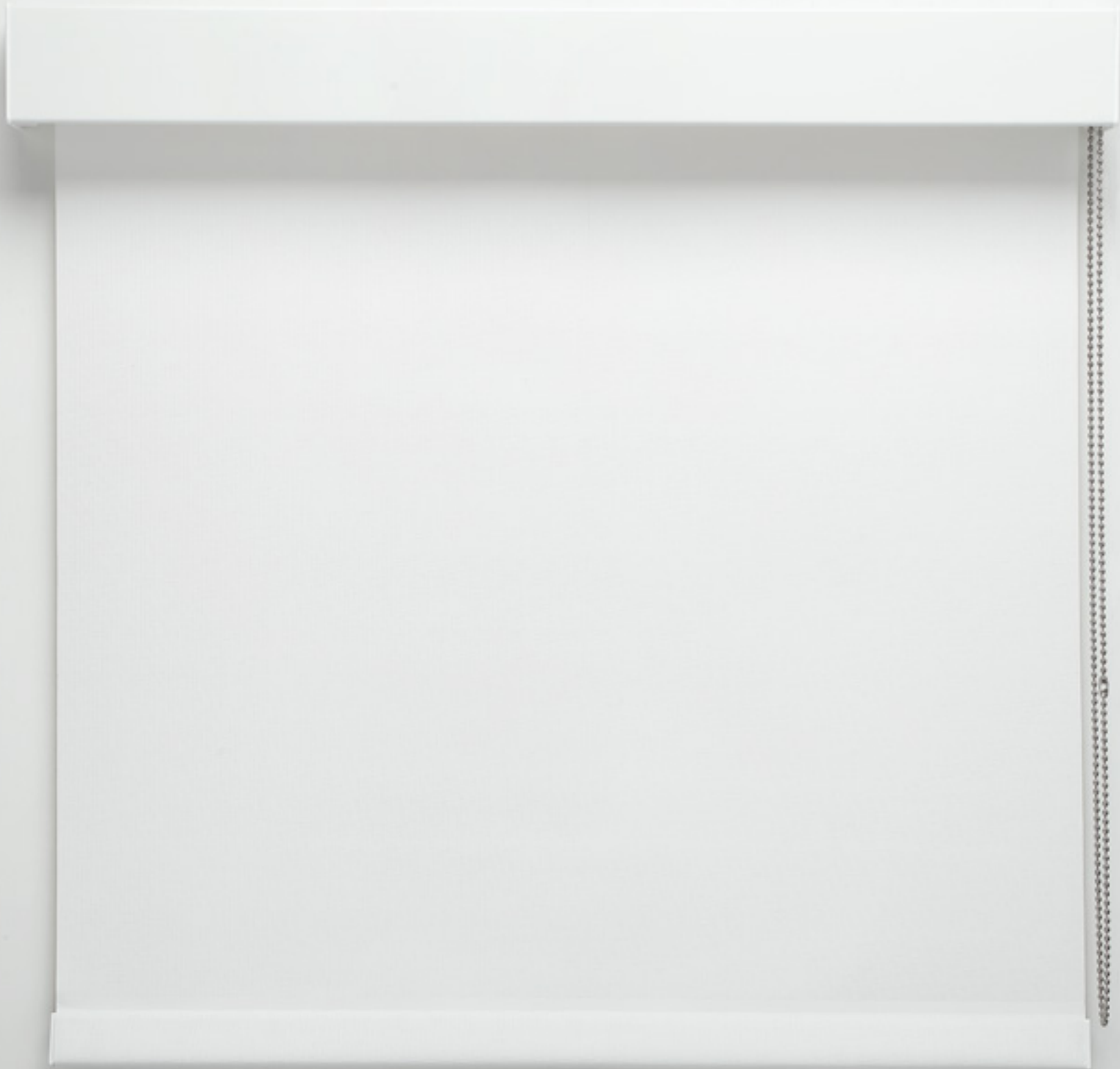
- JOB PHOTOS 6-7, 58-59**
- MANUAL SHADES 8-11**
- DUAL MANUAL SHADES.....12-15**
- MOTORIZED SHADES.....16-19**
- DUAL MOTORIZED SHADES 20-23**
- ACCESSORIES..... 24-29**
- MOTOR CONTROLS 30-33**
- FABRICS..... 34-35**
- EXTERIOR SHADES 36-40**
- PRODUCT SPECIFICATIONS.....41-55**
 - ML-30 42-43**
 - ML-40 44-45**
 - ML-50..... 46-47**
 - DML-50 48-49**
 - MS-30..... 50-51**
 - MS-4052-53**
 - MS-50..... 54-55**
 - DMS-50 56-57**

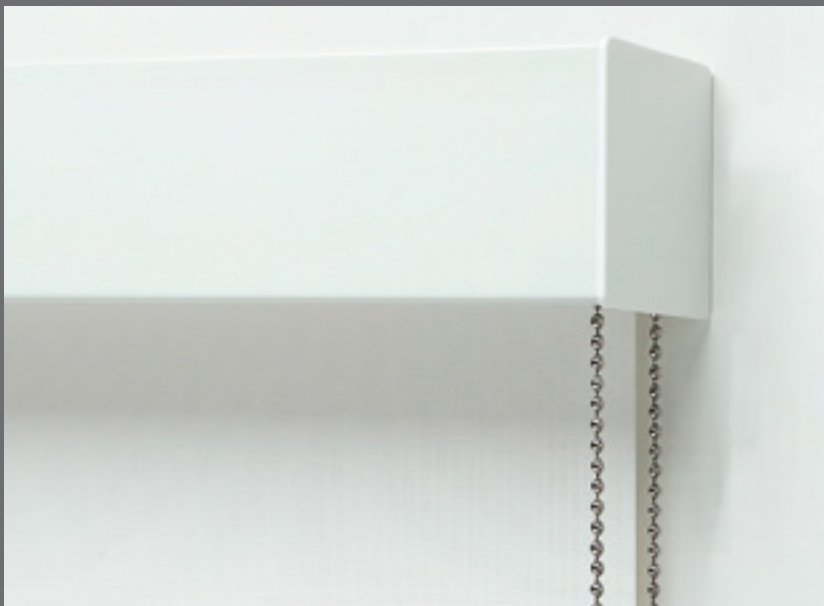






Manual Shades







MANUAL SHADES

Manual shades are a cost-effective choice for homes, commercial spaces, and institutions. Lutek ML series manual shades utilize patent-protected technology for best-in-class smooth and quiet operation. Stylish open roll shades utilize high gloss clutches with matching end caps for a modern sleek appearance and our optional 3.25", 4" and 5" aluminum fascia is available to conceal the shade assembly. Users can easily raise shades up to 156" x 156" with spring assist technology. Our universal mounting brackets allow for manual shades to easily be upgraded to motorized operation with no modification to the shades.

DETAILS:

- Available as open roll, with aluminum fascia or as a cassette shade
- Control heat and glare while maintaining exterior views
- Wide variety of fabric options including designer fabrics, weaves, privacy, and blackout
- Fabric attaches to tube with sewn-on spline to keep fabric square
- Shades can be coupled for control of hard-to-reach shades
- Smooth operation with easy lifting capacity up to 156" x 156"
- Retractable idler for easy installation. Extends 10mm in 1mm increments for perfect installations
- Dual Shade option for blackout and weave in a single compact size
- Easily converted into motorized operation at a later time

OPTIONS:

- Open roll with decorative bracket covers
- 3.25", 4" and 5" aluminum fascia in four powder coated colors, fabric wrapped, or cassette
- Cassette option for easy installation
- Decorative metal brackets and metal clutches available
- Spring Roller - Cordless Operation
- Crank operation
- Internal hem bar in sealed pocket, fabric wrapped or exposed metal
- Stainless steel chain (standard) or plastic beaded cord in 4 colors
- Side channels for complete blackout (see page 27)

BENEFITS:

- Compact and strong
- Smooth operation
- Simple installation
- Can be easily converted to motorized using AC, DC or Battery Motors



*Dual
Manual
Shades*







DUAL MANUAL SHADES

The Lutek DML series dual manual shades provide flexibility in controlling the light in your space.

Users have the option of light filtering or full blackout depending on needs of the space. Dual clutch driven shades utilize patent protected technology for best in class smooth and quiet operation. Optional 5" and 7" aluminum fascia are available to conceal the shade assembly. Users can easily raise shades up to 156" x 156" with spring assist technology. Our universal mounting brackets allow for manual shades to easily be upgraded to motorized operation with no modification to the shades.

DETAILS:

- Maximum flexibility for blackout and translucent shades in one compact unit
- 2 shades installed on 1 bracket for ease of installation
- Control heat and glare while maintaining exterior views or full blackout with optional light blocking side channels
- Wide variety of fabric options exist including designer fabrics, blackout, privacy, and translucent
- Smooth operation with easy lifting capacity up to 156" x 156"
- Retractable idler for easy installation. Extends 10mm in 1mm increments for perfect installations
- Can easily be converted into a motorized option at a later time
- Perfect for classrooms, bedrooms, and conference rooms to easily adjust from blackout to translucent

OPTIONS:

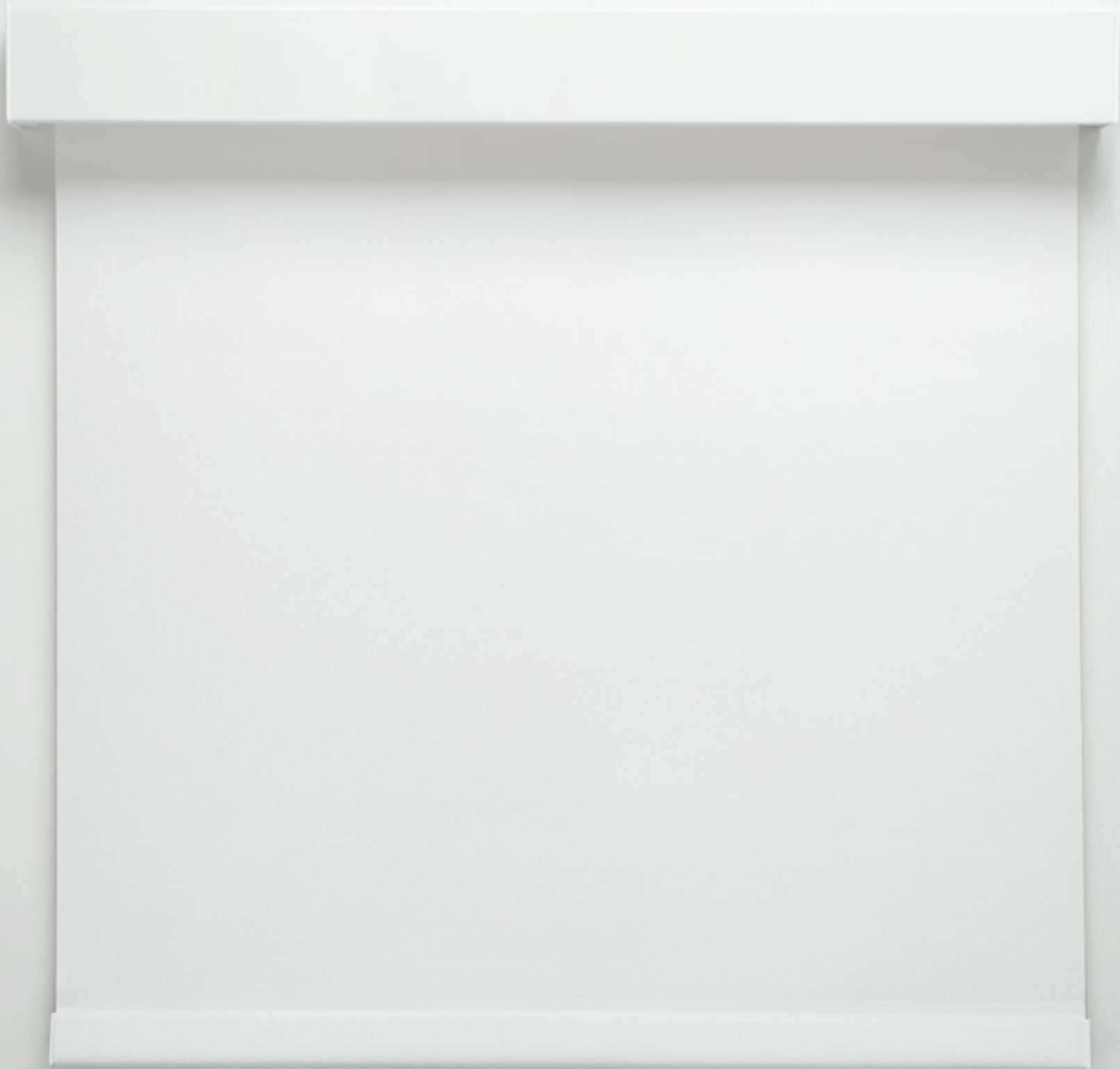
- Open roll
- 5" and 7" aluminum fascia in four powder coated colors or fabric wrapped (5" only)
- Spring Roller - Cordless Operation
- Crank operation
- Internal hem bar in sealed pocket, fabric wrapped or exposed metal
- Stainless steel chain (standard) or plastic beaded cord in 4 colors
- Compact 5" x 5" form factor for shades up to 96" x 96"
- Dual coupling brackets allow for control of hard to reach shades
- Side channels for complete blackout (see page 27)

BENEFITS:

- Compact and strong
- Smooth operation
- Simple installation
- Can be easily converted to motorized using AC, DC or Battery Motors

The background is a blurred office environment. It shows several desks with computers, office chairs, and papers. The overall color palette is muted, with a lot of greys, blues, and browns, giving it a professional and slightly somber feel. The text is overlaid on this background.

Motorized Shades







MOTORIZED SHADES

The Lutek MS series motorized shades offer the ultimate in convenience and luxury at the push of a button. We offer a range of motor models including rechargeable battery powered, low voltage DC powered and 120v AC powered options. Whether using hard-wired, radio frequency or RS-485 motors, a wide variety of available control options give users flexibility when operating their shades. Optional input devices give the ability for shades to be completely automated via timers, light/wind sensors, app-based schedules, or full building automation for commercial projects. Our coupling brackets allow multiple shade panels to be coupled together to reduce costs and our adjustable coupler allows for easy alignment of hem bars.

DETAILS:

- Perfect for large windows and/or hard to reach locations
- Eliminate cords and choking hazards
- Control heat and glare while maintaining exterior views
- Wide variety of fabric options exist including designer fabrics, blackout, privacy, and translucent options
- Automation allows for optimum light levels without manual/human interaction
- Variety of integration options available - including app control, building management systems, and to professional AV systems




OPTIONS:

- Open roll with decorative bracket covers
- 3.25", 4" and 5" aluminum fascia in four powder coated colors or fabric wrapped
- Cassette option for easy installation
- Decorative metal brackets
- Internal hem bar in sealed pocket, fabric wrapped or exposed metal
- Side channels for complete blackout (see page 27)
- Control Options (see page 30)
- Extensive Motor Options (see page 30)

BENEFITS:

- Low volt DC power, 120-volt AC powered, and rechargeable battery powered
- Adjustable motor speeds (DC and Battery motors only)
- Economical Low Noise and Luxurious Ultra Quiet
- User adjustable preset position
- Shade position feedback via two-way RF or RS-485
- Simple installation and programming
- Control from remotes, wall switches, smartphone app and/or integration with automation systems



*Dual.
Motorized
Shades*







DUAL MOTORIZED SHADES

The Lutek DMS series dual motorized shades provide flexibility and convenience in controlling the light in your space. Users have the option of light filtering or full blackout in one compact unit. All the same great motor and control options used on the Lutek MS line of shades are available in the DMS line of dual shades. Optional 5" and 7" aluminum fascia are available to conceal the shade assembly. Our dual coupling brackets allow multiple shade panels to be coupled together to reduce costs and our adjustable coupler allows for easy alignment of hem bars.

DETAILS:

- Maximum flexibility for blackout and translucent shades in one compact unit
- 2 shades installed on 1 bracket for ease of installation
- Compact 5" x 5" size for shades up to 96" x 96"
- Control heat and glare while maintaining exterior views or full blackout with optional light blocking side channels
- Wide variety of Fabric options exist including designer fabrics, blackout, privacy, and translucent
- Retractable idler for easy installation. Extends 10mm in 1mm increments for perfect installations
- Perfect for classrooms, bedrooms, and conference rooms to easily adjust from blackout to translucent
- Remotely control large shades or difficult to reach windows
- Eliminate cords and choking hazards
- Automation allows for optimum light levels without manual/human interaction
- Variety of integration options available - including app control, building management systems, professional AV systems

OPTIONS:

- Open roll
- 5" and 7" aluminum fascia in four powder coated colors or fabric wrapped (5" only)
- Internal hem bar in sealed pocket, fabric wrapped or exposed metal
- Compact 5" x 5" form factor for shades up to 96" x 96"
- Dual coupling brackets allow for cost savings and control of hard to reach shades
- Side channels for complete blackout (see page 27)
- Control Options (see page 30)
- Extensive Motor Options (see page 30)

BENEFITS:

- Low volt DC power, 120-volt AC powered, and rechargeable battery powered
- Adjustable motor speeds (DC and Battery motors only)
- Economical Low Noise and Luxurious Ultra Quiet
- User adjustable preset position
- Shade position feedback via two-way RF or RS-485
- Simple installation and programming
- Control from remotes, wall switches, smartphone app and/or integration with automation systems

Accessories



ACCESSORIES

Both manual and motorized Lutek shades have a variety of available accessories to compliment the design aesthetics and add functionality. Strong and durable powder coat colors are standard and custom paint and powder coat options are available upon request.

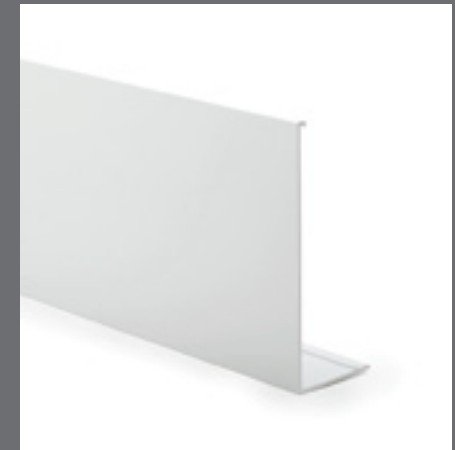
OPTIONS:

- 5" x 5" Ceiling pocket with or without tile lip
- 6" x 7" Adjustable ceiling pocket with tile lip
- Closure mount with or without tile lip
- 1.5" and 3" Closure
- Blackout side channels
- Cable guides with hem bar end caps
- 3", 4", 5" and 7" fascia (available in 4 colors)
- 4" fascia with return
- Flat front or round front Cassettes
- Articulating Coupler Bracket

TOP TREATMENT OPTIONS

Top treatments give roller shades a finished clean appearance by covering hardware and wiring.

FASCIA

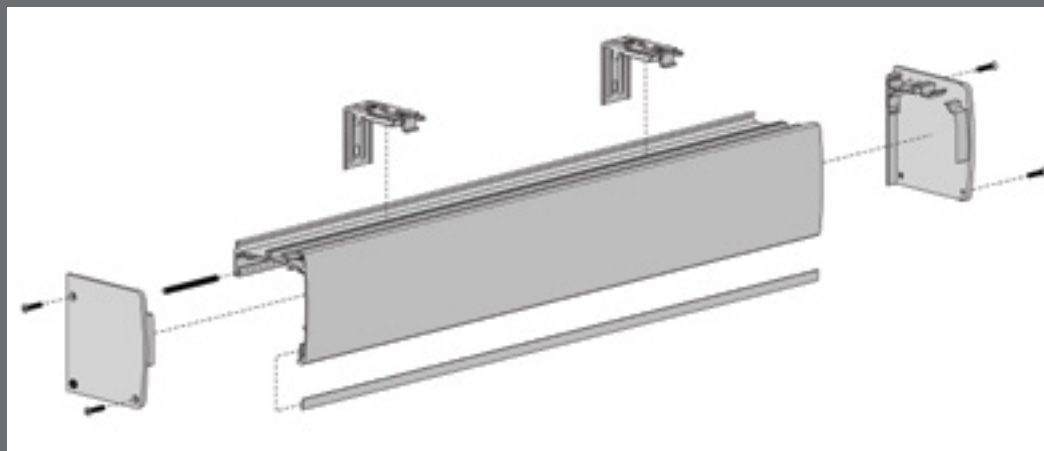


3.25", 4" and 5" fascia gives a clean modern appearance with gently curved corners. Works for both standard and reverse roll shades. Available as front and back fascia. *(available in white, bronze, black, and clear anodized)* Also available as fabric wrapped.

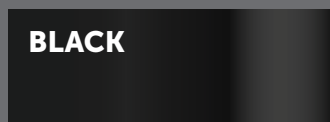
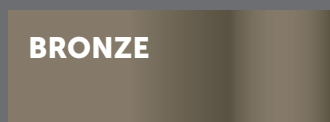
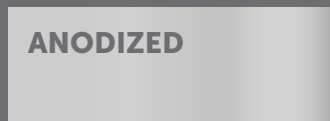
3.25" and 4" fascia also available with bottom return. *(available in white, bronze, black, and clear anodized)*

7" fascia for large shades and dual motorized. *(available in white, bronze, black, and clear anodized)*

CASSETTE SYSTEM



The Lutek Cassette System allows for simple snap-in installation with a clean modern look. *(available in white, clear anodized, black or fabric wrapped.)*



HEMBAR AND SIDE CHANNEL OPTIONS

Bottom finishes and light-blocking accessories.

HEMBAR OPTIONS



Sealed Pocket



Exposed Hem Bar with End-Caps
(available in white, bronze, black, and clear anodized)



Fabric Wrapped with End-Caps



Optional Cable Guide End-Cap
(available in fabric wrapped or exposed)

LIGHT BLOCKING SIDE CHANNELS



Side channels with light blocking brushes prevent light leakage at the sides of shades for total blackout. *(available in white, bronze, black, and clear anodized)*



Removable screw cover allows for easy installation with no exposed fasteners. *(available in white, bronze, black, and clear anodized)*



Light blocking U-Channel for installations where light blocking brushes are not needed. *(available in white, bronze, black, and clear anodized)*

CEILING POCKETS AND CLOSURES

CEILING POCKETS



5" x 5" ceiling pocket for recessed installations (shown with and without 3" closure) *(white only)*



5" x 5" ceiling pocket with tile lip *(white only)*



Closure in 1.5" and 3" *(white only)*



6" x 7" adjustable ceiling pocket with tile lip. Two-part design allows for adjustable depth of 6" to 7" (can be installed in two pieces for even greater depth) *(white only)*



Closure mount with and without tile lip *(white only)*

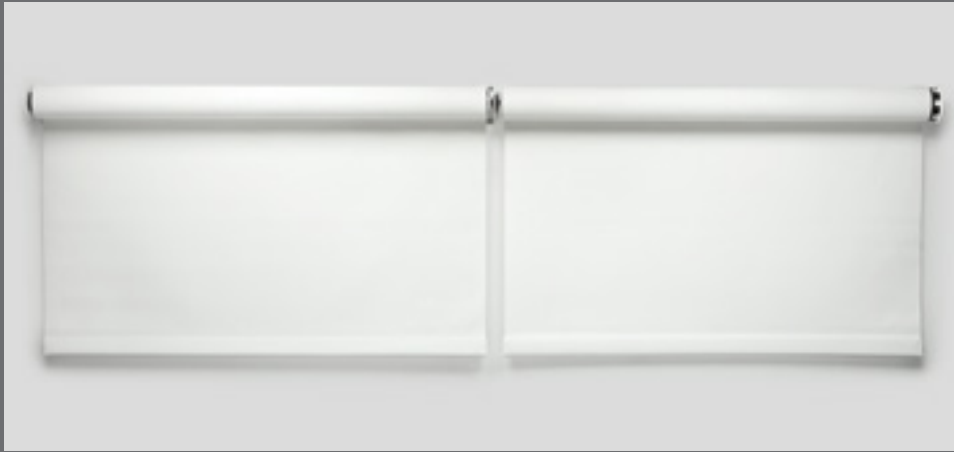


Closure mount with closure lip *(white only)*

COUPLING BRACKETS

Operating multiple shades from one source.

COUPLED SHADES (30 AND 40 SERIES PICTURED)



Coupling two or more fabric panels to operate off a single motor, clutch, or crank can provide an economical way to cover large sections of windows.



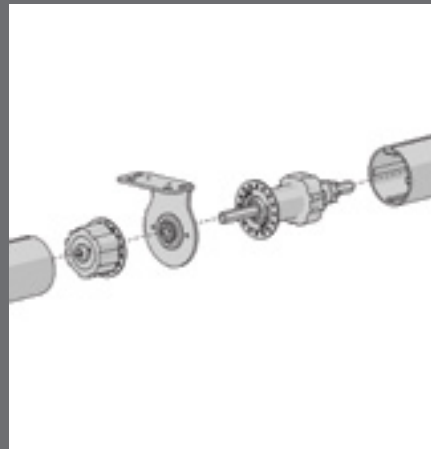
Retractable 30 and 40 series coupling brackets allow for easy adjustability for accurate hem bar alignment.



COUPLED SHADES (50 SERIES PICTURED)



The 50 series installation tool allows for easy installation and adjustment of coupled shades without the need to remove the shades.



Angled coupling brackets allow for coupling manual or motorized shades on angles up to 90°.



Motor Controls



MOTOR CONTROLS

In 1968 Lutek pioneered manufacturing roller shades. Beginning with the Colorado market and then offering fabrication for many brands that don't have their own manufacturing capabilities. Hand building and installing thousands of finished shades in every shape and size of window imaginable, with every new motor that came on the market, it was clear that no motor maker could satisfy every need for every roller shade application. By working closely with the entire electronic manufacturing industry to curate a boutique selection of the most quiet and powerful motors for every application and control method, we can specialize in what we do best. Constantly innovating, manufacturing, and providing the best customer service in the industry.

POWER TYPES AVAILABLE:



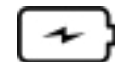
AC



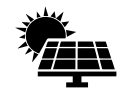
DC



Battery (internal)



Battery (external)



Solar



POE

REMOTES AND WALL SWITCHES

Offering innovative selections from the entire electronic motor manufacturing industry.



Automate RF 5-channel wall switch with removable remote



Automate RF 15-Channel in wall keypad (available in 1-channel, 2-channel and 15 channel with LCD screen)



Automate 1 and 15 channel Paradigm touch remotes



Automate Push RF remotes (available in 5 or 15-channel in black or white)



Somfy Decoflex RTS Wall Switch (available in 1-5 channels in black, white, or ivory)

**Custom etched buttons available.*



Somfy Situo Remotes in 1 and 5 Channel

APP HUBS AND INTEGRATION DEVICES

Control your window coverings through your home automation system.



AUTOMATE PULSE 2 HUB

Achieve effortless control of your Automate powered Lutek smart window coverings and seamless integration with home automation systems. Easily control your Lutek smart shades, set scenes and schedules with the feature rich Automate Hub.

- Supports discrete shade control
- Two-way communication system
- Real time shade position and battery level status.
- Supports Ethernet and Wireless Communication 2.4GHz
- Drivers from all popular home automation systems



SOMFY CONNECT UAI+

The Somfy Connect™ Universal Automation Interface (UAI) Plus allows for commissioning and integrating Lutek shades that are powered by Somfy Digital Network™ (SDN) motors over IP/Ethernet.

- Embedded motor commissioning software streamlines SDN system configuration using a web browser
- Compatible with the Somfy Synergy™ API as well as
- Drivers from all popular home automation systems



SOMFY'S TAHOMA

The Somfy TaHoma gateway uses technology that's open and forward-looking. TaHoma® provides a single platform for new and existing RTS and future ecosystems at a competitive price with a wide range of interior and exterior applications. Professional installation with Somfy Set & Go Connect is quick, easy, and flexible.

- Drivers from all popular home automation systems
- Live a more comfortable and convenient life

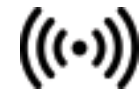
PROTOCOLS:



Wired RS-485



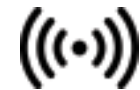
Omni Directional 433RF



Bi Directional 433RF



ZigBee®



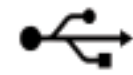
Wireless Ethernet



Wired Ethernet

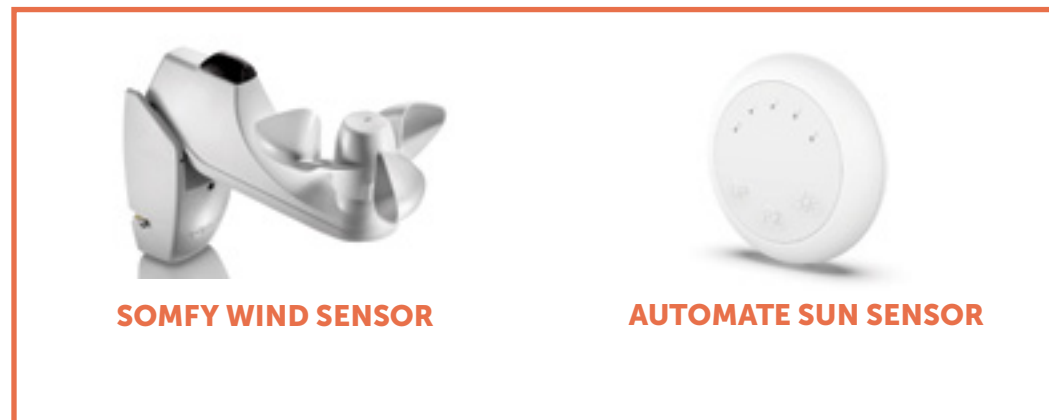


Dry Contact /Relay



Serial

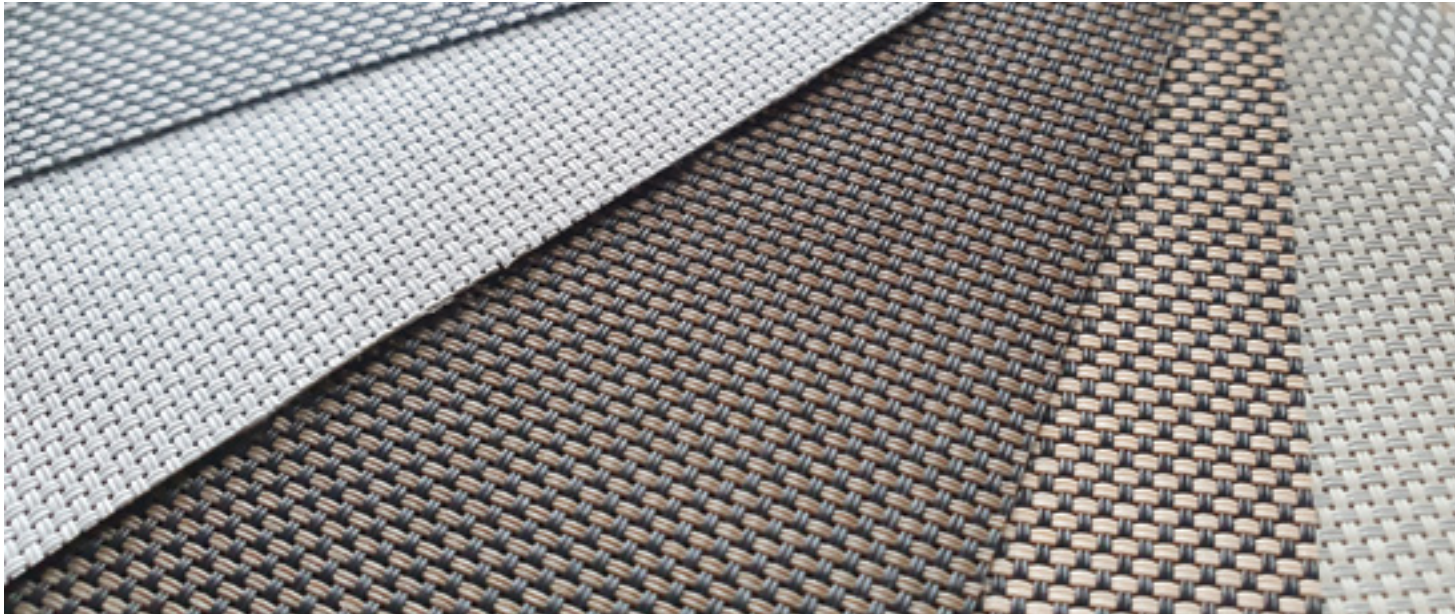
0-10V



SOMFY WIND SENSOR

AUTOMATE SUN SENSOR

Fabrics



FABRICS

Lutek offers a vast range of high-performance fabric options.

WEAVES

- We inventory thousands of rolls from < 1% - 10% openness from the largest fabric manufacturers in the industry.

BLACK OUTS

- A wide range of high-performance fabrics from top manufacturers.
- Materials include fiberglass, PVC free, weave, blackout privacy, commercial fire rated, and exterior fabrics.
- No designer should ever have to compromise when choosing the right fabric.

FABRIC SUPPLIERS:



coulisse

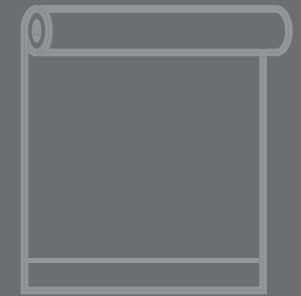


PHIFER

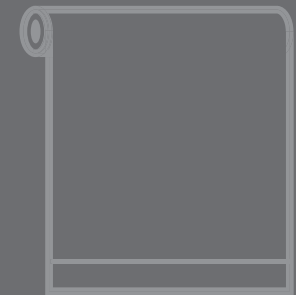
LOUVOLITE



FABRIC ORIENTATIONS



REGULAR ROLL – Most common roll – fabric near window



REVERSE ROLL – To avoid obtrusions such as handles

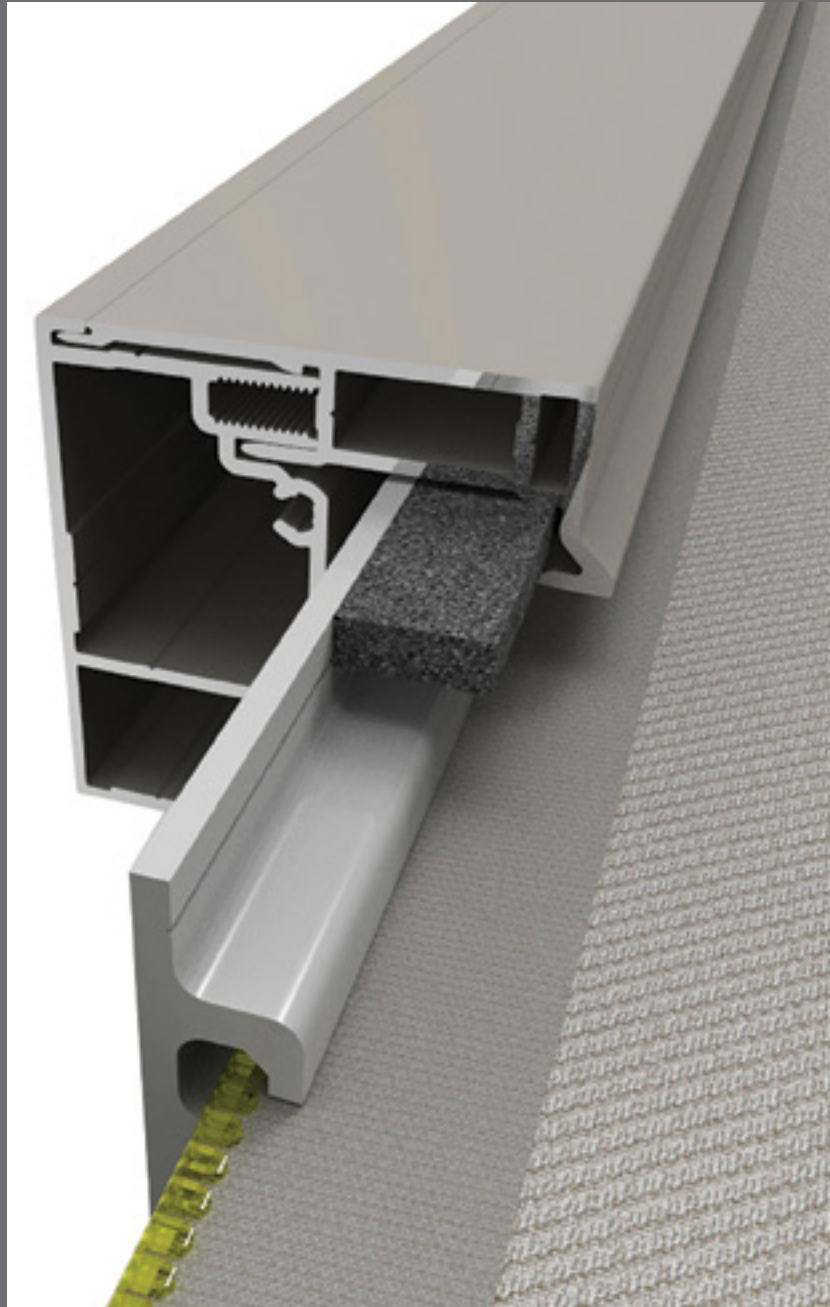


RAILROAD – A standard shade's width is cut out of the width of the raw goods roll. On a large shade, it is possible that you may need to "railroad" the fabric to get a wider width shade (turn fabric sideways). Pattern may change by turning the fabric and the fabric may "cup" or curl inward at the sides.



Exterior Shades







EXTERIOR SHADES

Lutek Shading Systems offers a full line of exterior shades and shading structures.

MOTORIZED EXTERIOR ROLLER SHADES

Our line of motorized exterior roller shades is available with cable guides or full side zipper channels to keep fabric in place during winds. Exterior roller shades are a perfect way to finish off a patio or deck area, keeping them cool, shaded, and free of wind and insects. Exterior shades also offer superior cooling for windows over traditional interior window shades. Save energy and keep cool with sleek and modern exterior Lutek shades.

EXTERIOR SHADING STRUCTURES

Lutek is proud to offer Renson shading structures. These innovative and beautiful structures are available in a variety of styles, sizes, and colors. Motorized roof louvers can keep rain and snow out when closed while having the flexibility to open when fresh air and sun is desired. A wide variety of infill options like shades and louvered sliding panels are available to finish off the sides and create an exterior room. Add lighting, sound and more to make a statement in your outdoor space.

Contact your Lutek Shading Systems sales representative to learn more.





Product Specifications

ML-30

MANUAL TOP DOWN ROLLER SHADE WITH CLUTCH SYSTEM

FEATURES:

- Contemporary and compact roller shade system
- Field upgradable to motorization MS - 30
- Fabric wrapped fascia available
- Extendable idle
- Available as coupled shade

BENEFITS:

- Compact and strong
- Smooth operation
- Simple installation
- Can be converted to motorized with DC or Battery Motors
- Extendable idle
- Short bracket
- Small light gaps
- Available as crank operation

SYSTEM INDEX

1. CLUTCH

Available in White, Gray and Black

2. TUBE

- A. 45mm Tube
- B. 49mm Tube

3. CLUTCH BRACKET

Available in White, Gray and Black

4. IDLE BRACKET

Available in White, Gray and Black

5. IDLER

Available in White, Gray and Black

6. HEMBAR

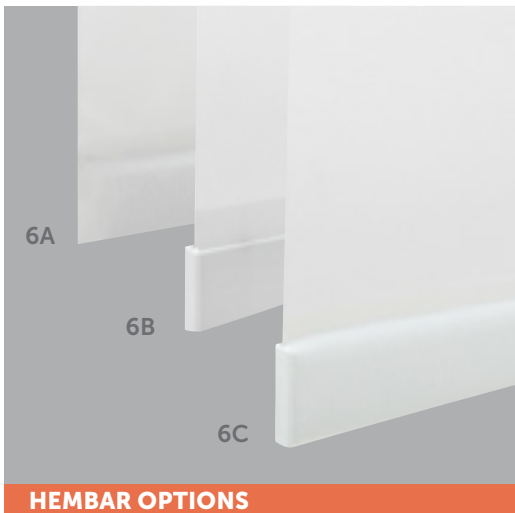
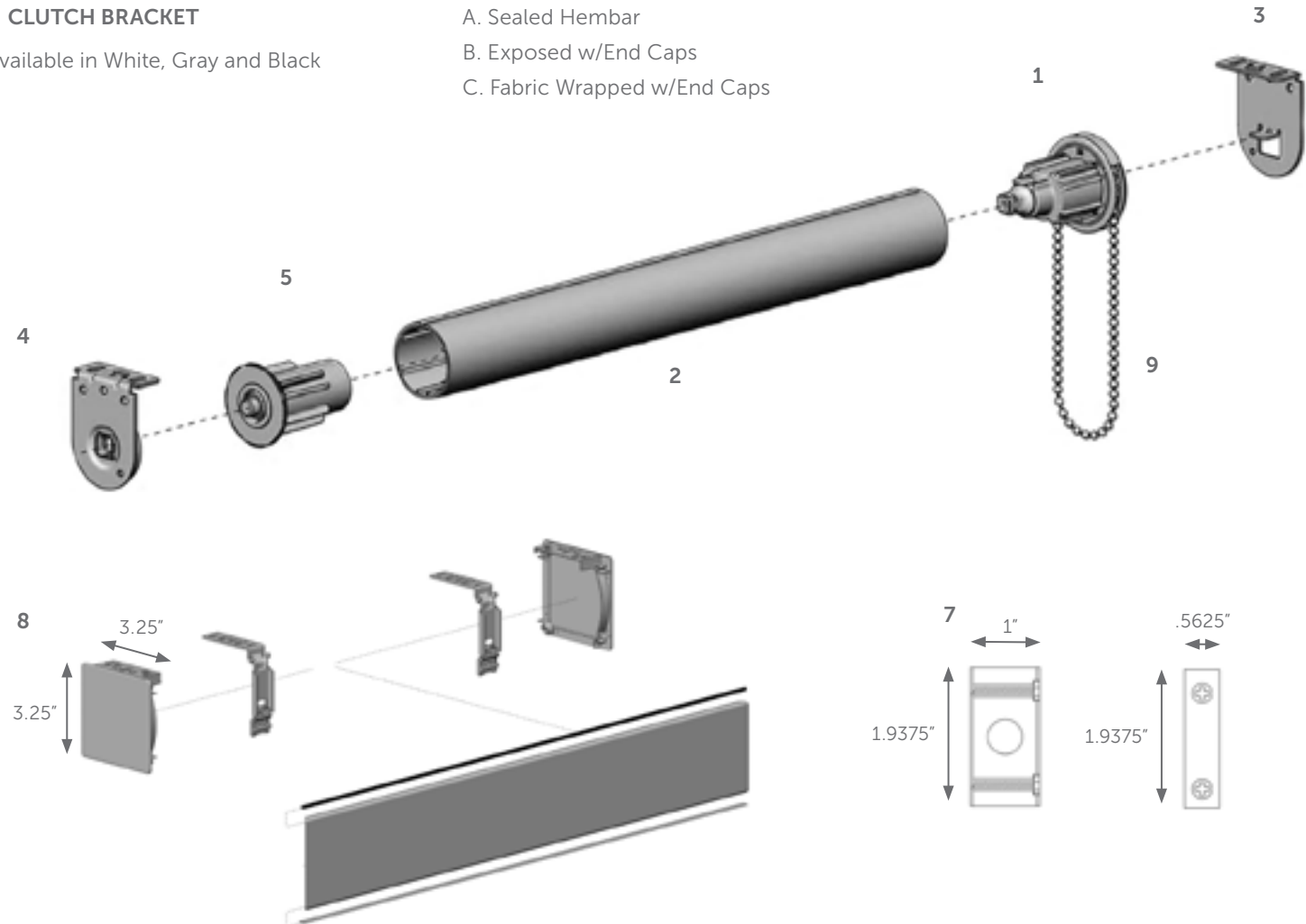
- A. Sealed Hembar
- B. Exposed w/End Caps
- C. Fabric Wrapped w/End Caps

7. CHAIN HOLD DOWN

Available in White, Gray and Black

8. OPTIONAL FASCIA SYSTEM

9. CHAIN

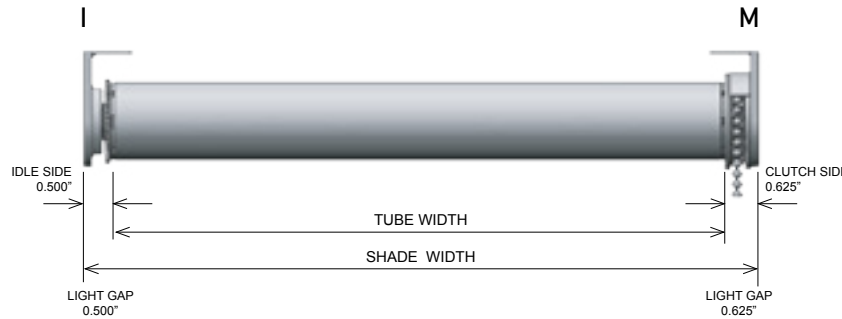


HEMBAR OPTIONS

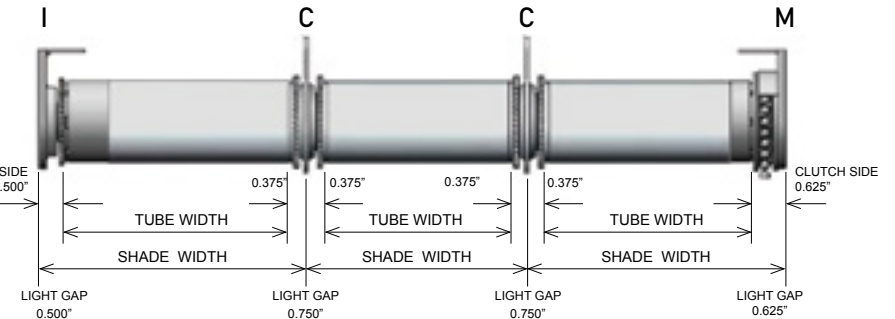
ML-30

MANUAL TOP DOWN ROLLER SHADE WITH CLUTCH SYSTEM

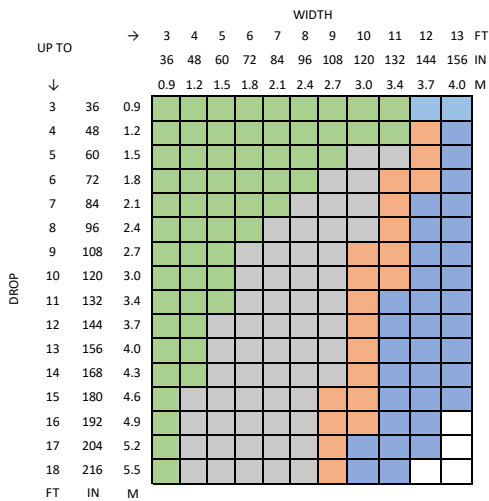
SHADE DEDUCTIONS



COUPLED SHADE DEDUCTIONS

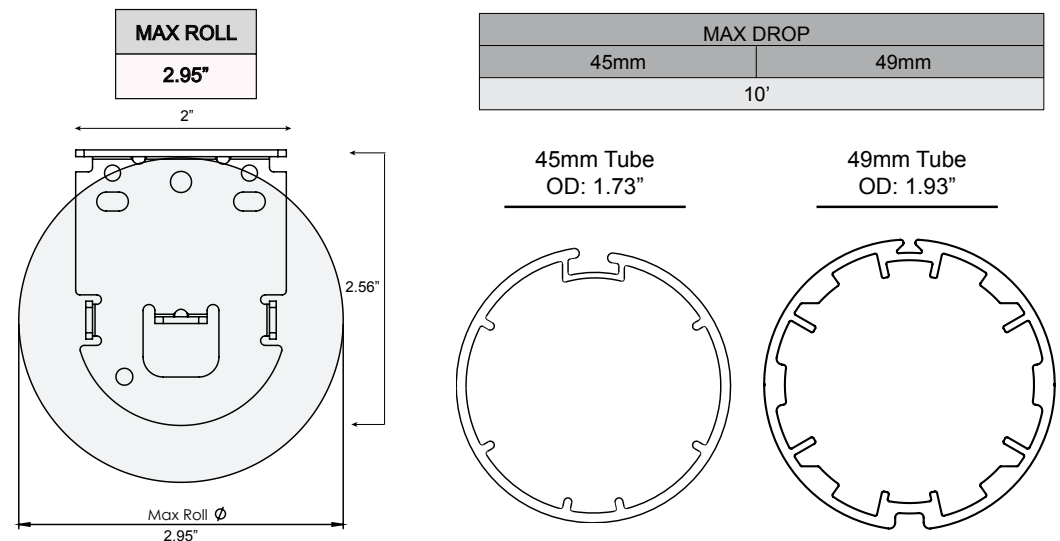


ML-30 SYSTEM CAPACITY



DRIVE	BRACKETS	IDLE SIDE	COUPLER SIDE	CLUTCH SIDE	OVERALL DEDUCTION
M-I	WITH FASCIA END CAPS	0.625" (15.9mm)		0.750" (19.1mm)	1.375" (34.9mm)
	WITHOUT FASCIA END CAPS	0.500" (12.7mm)		0.625" (15.9mm)	1.125" (28.6mm)
I-C	WITH FASCIA END CAPS	0.625" (15.9mm)	0.375" (9.5mm)		1.00" (25.4mm)
	WITHOUT FASCIA END CAPS	0.500" (12.7mm)	0.375" (9.5mm)		0.875" (22.2mm)
C-C	WITH FASCIA END CAPS		0.750" (19.1mm)		0.750" (19.1mm)
	WITHOUT FASCIA END CAPS		0.750" (19.1mm)		0.750" (19.1mm)
M-C	WITH FASCIA END CAPS		0.375" (9.5mm)	0.750" (19.1mm)	1.125" (28.6mm)
	WITHOUT FASCIA END CAPS		0.375" (9.5mm)	0.625" (15.9mm)	1.00" (25.4mm)

MAX ROLL



Parameters

Fabric Weight (oz/sq yd):	13.30
Fabric Thickness (in):	0.02
Hembar Weight (oz/ft):	2.75

CONTROL	BRACKET	TUBE
RB07/RB09 Clutch	VX Bracket	45mm
RB07/RB09 Clutch	VX Bracket	49mm
RB07/RB09 Clutch	VX Bracket	45/49mm VX Coupler
RB07/RB09 Clutch + Spring	VX Bracket	45mm
RB07/RB09 Clutch + Spring	VX Bracket	49mm
RB07/RB09 Clutch + Spring	VX Bracket	45/49mm VX Coupler

Outside Specifications

*For optimal performance shades need to maintain 4:1 ratio of length to width. Shades can be outside this ratio however shade performance could be impacted

**Exceeding these values may cause fabric tracking issues

***Coupled shades available for larger widths

ML-40

MANUAL TOP DOWN ROLLER SHADE WITH CLUTCH SYSTEM

FEATURES:

- Contemporary and compact roller shade system
- Field upgradable to motorization MS - 40
- Fabric wrapped fascia available
- Extendable idle
- Available as coupled shade

BENEFITS:

- Compact and strong
- Smooth operation
- Simple installation
- Can be converted to motorized with AC, DC or Battery Motors
- Extendable idle
- Short bracket
- Small light gaps
- Available as crank operation

SYSTEM INDEX

1. CLUTCH

Available in White, Gray and Black

2. TUBE

- A. 45mm Tube
- B. 49mm Tube

3. CLUTCH BRACKET

Available in White, Gray and Black

4. IDLE BRACKET

Available in White, Gray and Black

5. IDLER

Available in White, Gray and Black

6. HEMBAR

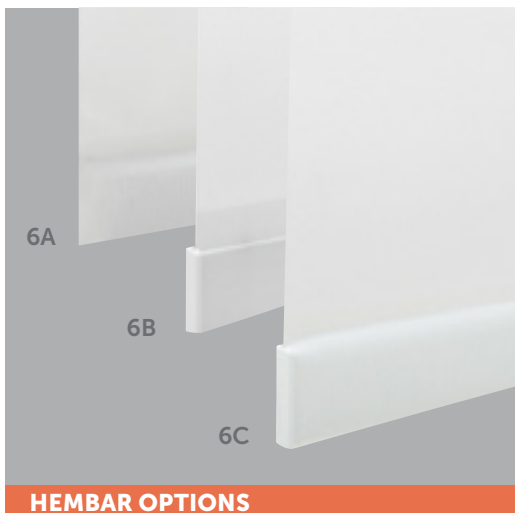
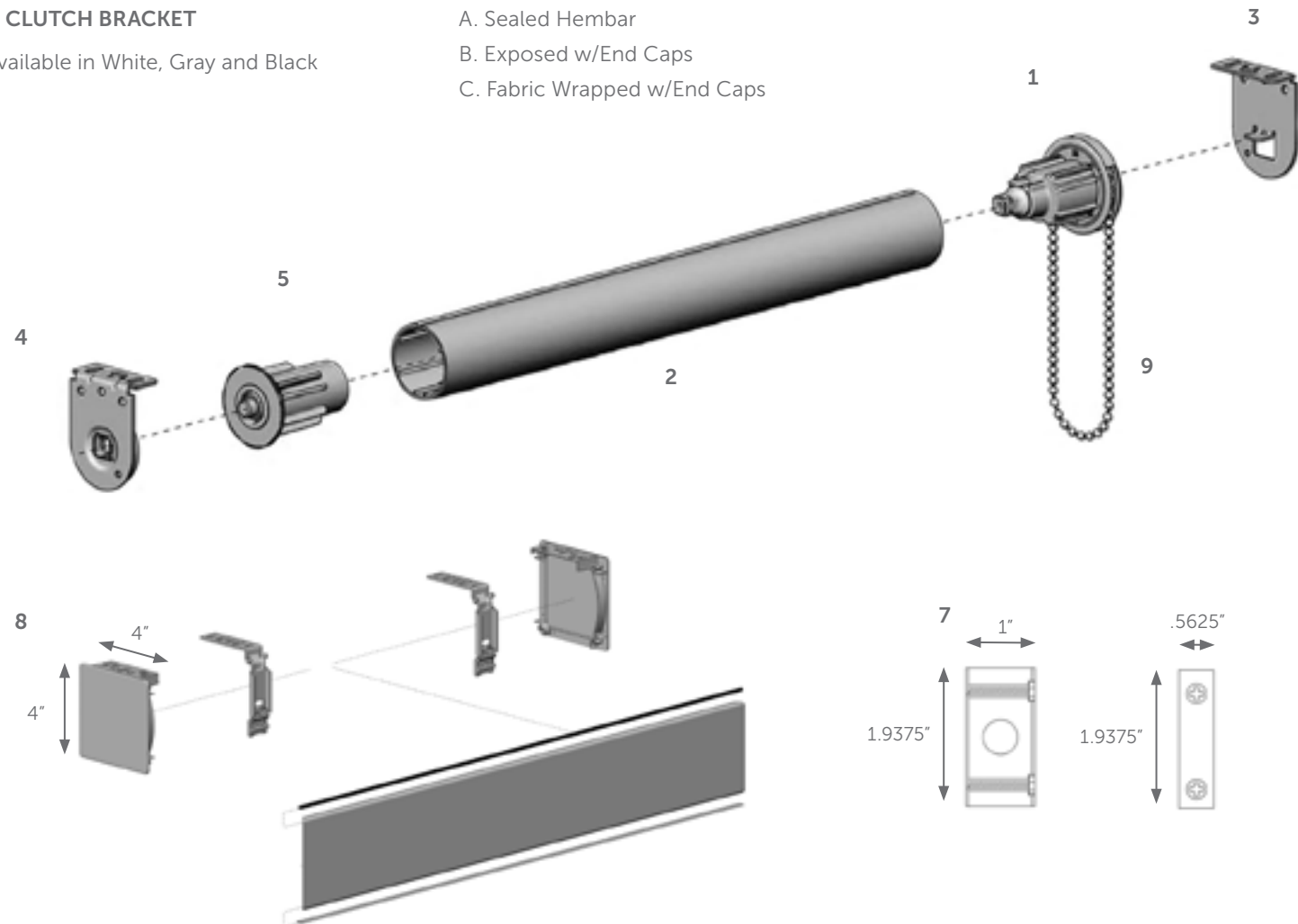
- A. Sealed Hembar
- B. Exposed w/End Caps
- C. Fabric Wrapped w/End Caps

7. CHAIN HOLD DOWN

Available in White, Gray and Black

8. OPTIONAL FASCIA SYSTEM

9. CHAIN

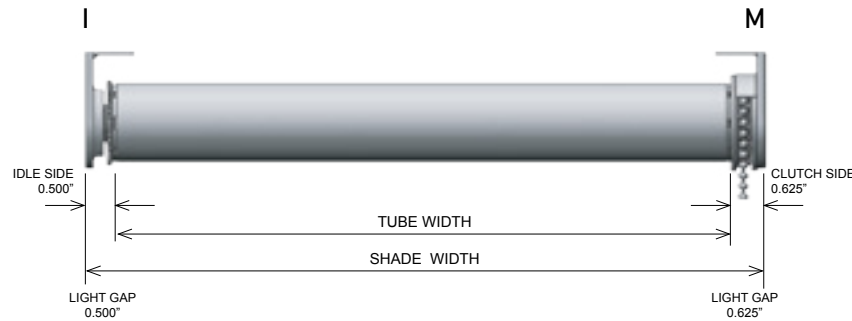


HEMBAR OPTIONS

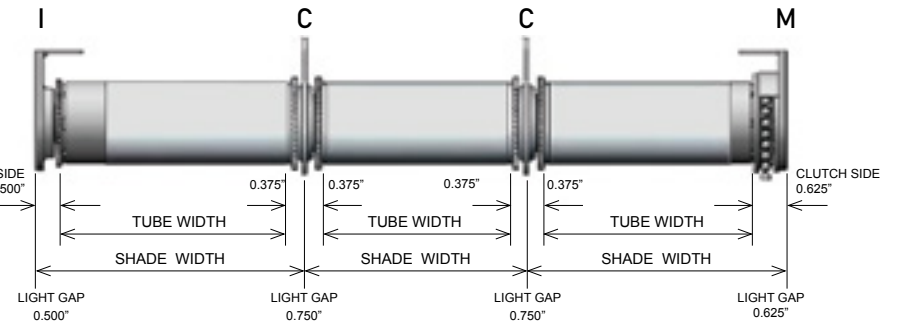
ML-40

MANUAL TOP DOWN ROLLER SHADE WITH CLUTCH SYSTEM

SHADE DEDUCTIONS



COUPLED SHADE DEDUCTIONS



ML-40 SYSTEM CAPACITY

UP TO	WIDTH												
	3	4	5	6	7	8	9	10	11	12	13	FT	M
3	36	0.9											
4	48	1.2											
5	60	1.5											
6	72	1.8											
7	84	2.1											
8	96	2.4											
9	108	2.7											
10	120	3.0											
11	132	3.4											
12	144	3.7											
13	156	4.0											
14	168	4.3											
15	180	4.6											
16	192	4.9											
17	204	5.2											
18	216	5.5											
19	228	5.8											
20	240	6.1											
21	252	6.4											
22	264	6.7											
23	276	7.0											
24	288	7.3											
25	300	7.6											
FT	IN	M											

Parameters
 Fabric Weight (oz/sq yd): 13.30
 Fabric Thickness (in): 0.02
 Hembar Weight (oz/ft): 2.75

CONTROL	BRACKET	TUBE
RB07/RB09 Clutch	VX Bracket	45mm
RB07/RB09 Clutch	LX Bracket	45mm
RB07/RB09 Clutch	VX Bracket	49mm
RB07/RB09 Clutch + Spring	VX Bracket	45mm
RB07/RB09 Clutch + Spring	LX Bracket	45mm
RB07/RB09 Clutch + Spring	VX Bracket	49mm
RB07/RB09 Clutch + Spring	LX Bracket	49mm
RB07/RB09 Clutch + Spring	VX Bracket	45/49mm VX Coupler
RB07/RB09 Clutch + Spring	LX Bracket	45/49mm LX Coupler

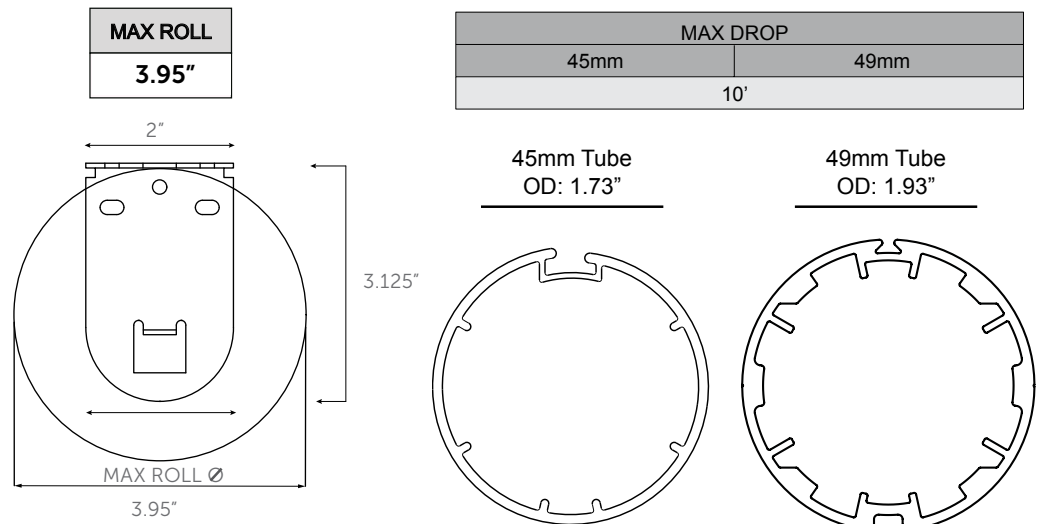
Outside Specifications
 *For optimal performance shades need to maintain 4:1 ratio of length to width. Shades can be outside this ratio however shade performance could be impacted

**Exceeding these values may cause fabric tracking issues

***Coupled shades are available for larger widths

DRIVE	BRACKETS	IDLE SIDE	COUPLER SIDE	CLUTCH SIDE	OVERALL DEDUCTION
M-I	WITH FASCIA END CAPS	0.625" (15.9mm)		0.750" (19.1mm)	1.375" (34.9mm)
	WITHOUT FASCIA END CAPS	0.500" (12.7mm)		0.625" (15.9mm)	1.125" (28.6mm)
I-C	WITH FASCIA END CAPS	0.625" (15.9mm)	0.375" (9.5mm)		1.00" (25.4mm)
	WITHOUT FASCIA END CAPS	0.500" (12.7mm)	0.375" (9.5mm)		0.875" (22.2mm)
C-C	WITH FASCIA END CAPS		0.750" (19.1mm)		0.750" (19.1mm)
	WITHOUT FASCIA END CAPS		0.750" (19.1mm)		0.750" (19.1mm)
M-C	WITH FASCIA END CAPS		0.375" (9.5mm)	0.750" (19.1mm)	1.125" (28.6mm)
	WITHOUT FASCIA END CAPS		0.375" (9.5mm)	0.625" (15.9mm)	1.00" (25.4mm)

MAX ROLL



ML-50

MANUAL TOP DOWN ROLLER SHADE WITH CLUTCH SYSTEM

FEATURES:

- Contemporary and compact roller shade system
- Field upgradable to motorization MS - 50
- Fabric wrapped fascia available
- Available as coupled shade

BENEFITS:

- Strong lifting capacity
- Smooth operation
- Simple installation
- Can be converted to motorized with AC, DC or Battery Motors
- Clutch and idle lock into brackets for safe install
- Available as crank operation

SYSTEM INDEX

1. CLUTCH

Available in White and Black

2. TUBE

- A. 45mm Tube
- B. 49mm Tube

3. CLUTCH BRACKET

Available in White and Black

4. IDLE BRACKET

Available in White and Black

5. IDLER

Available in White and Black

6. HEMBAR

- A. Sealed Hembar
- B. Exposed w/End Caps
- C. Fabric Wrapped w/End Caps

7. CHAIN HOLD DOWN

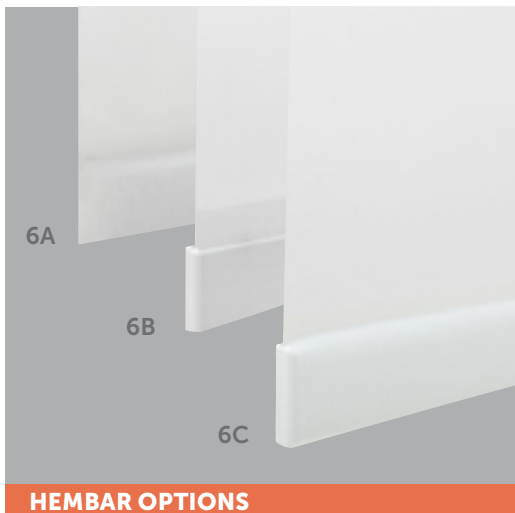
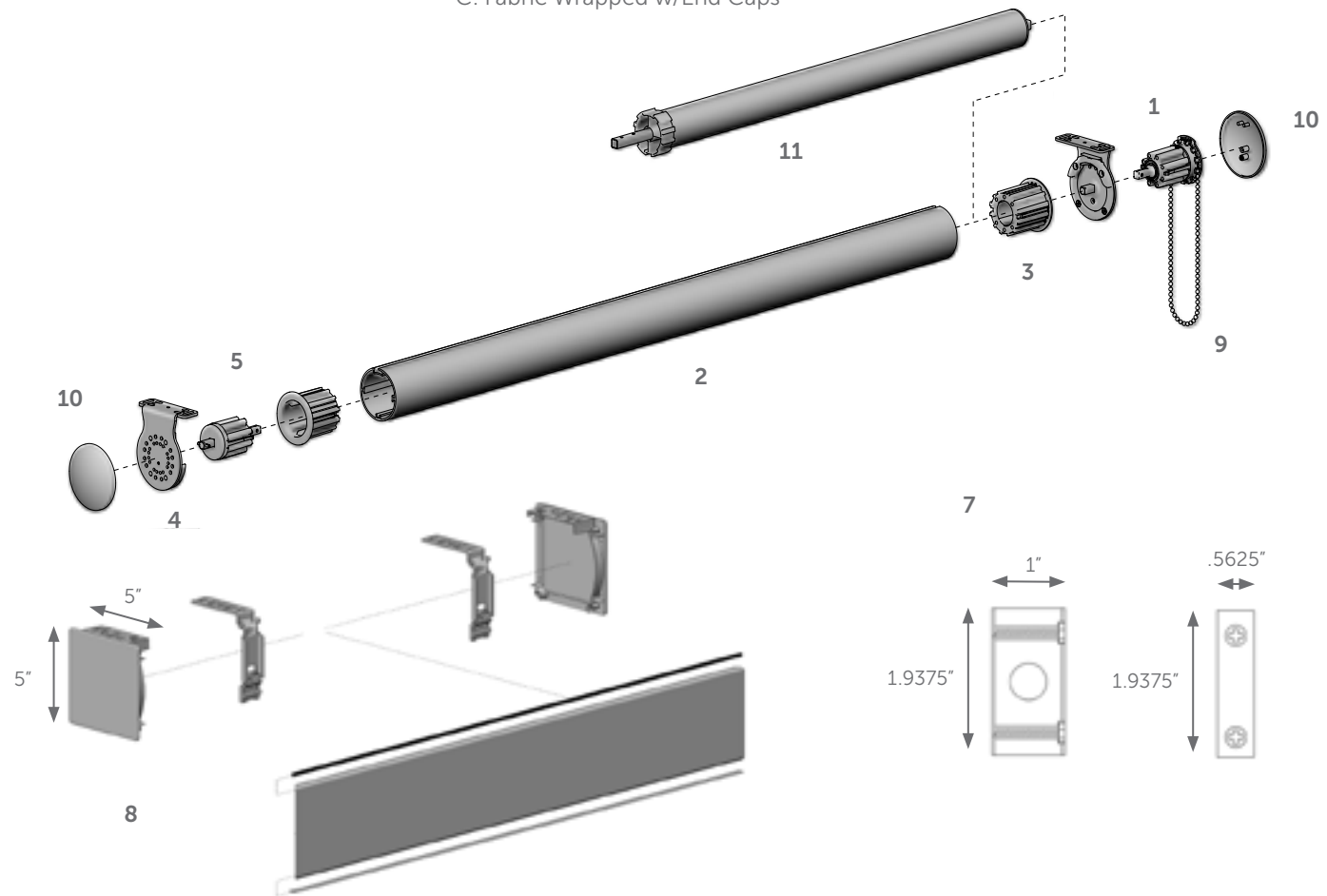
Available in White, Gray and Black

8. OPTIONAL FASCIA SYSTEM

9. CHAIN

10. OPTIONAL BRACKET COVER

11. SPRING BOOSTER

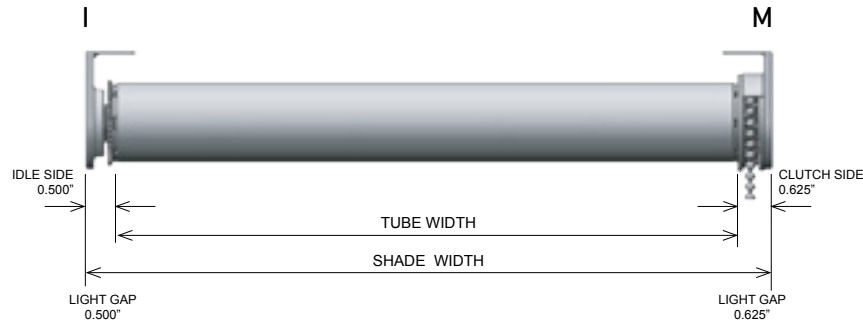


HEMBAR OPTIONS

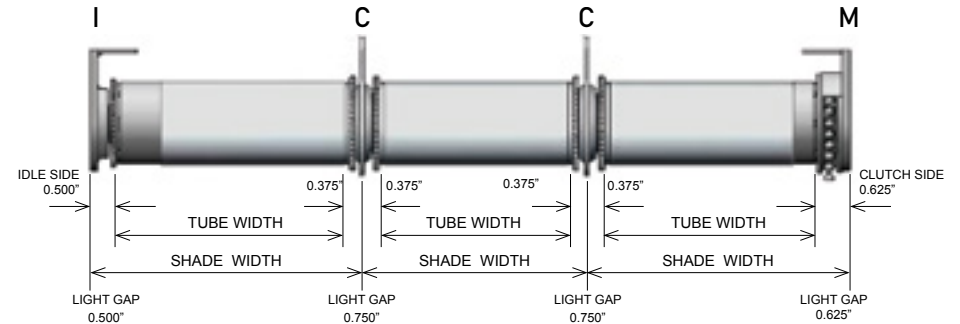
ML-50

MANUAL TOP DOWN ROLLER SHADE WITH CLUTCH SYSTEM

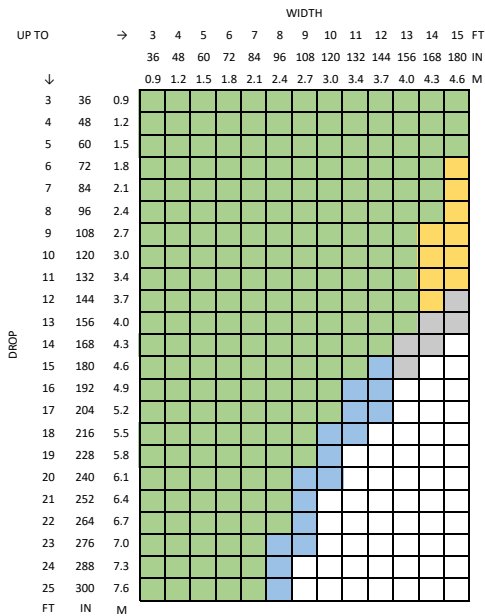
SHADE DEDUCTIONS



COUPLED SHADE DEDUCTIONS

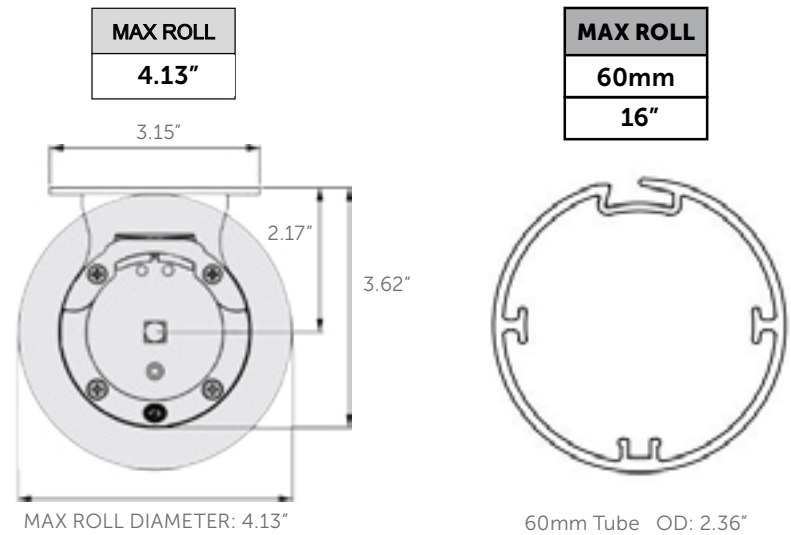


ML-50 SYSTEM CAPACITY



DRIVE	BRACKETS	IDLE SIDE	COUPLER SIDE	CLUTCH SIDE	OVERALL DEDUCTION
M-I	WITH FASCIA END CAPS	0.625" (15.9mm)		0.750" (19.1mm)	1.375" (34.9mm)
	WITHOUT FASCIA END CAPS	0.500" (12.7mm)		0.625" (15.9mm)	1.125" (28.6mm)
I-C	WITH FASCIA END CAPS	0.625" (15.9mm)	0.375" (9.5mm)		1.00" (25.4mm)
	WITHOUT FASCIA END CAPS	0.500" (12.7mm)	0.375" (9.5mm)		0.875" (22.2mm)
C-C	WITH FASCIA END CAPS		0.750" (19.1mm)		0.750" (19.1mm)
	WITHOUT FASCIA END CAPS		0.750" (19.1mm)		0.750" (19.1mm)
M-C	WITH FASCIA END CAPS		0.375" (9.5mm)	0.750" (19.1mm)	1.125" (28.6mm)
	WITHOUT FASCIA END CAPS		0.375" (9.5mm)	0.625" (15.9mm)	1.00" (25.4mm)

MAX ROLL



Parameters

Fabric Weight (oz/sq yd):	13.30
Fabric Thickness (in):	0.02
Hembar Weight (oz/ft):	2.75

CONTROL	BRACKET	TUBE
RB10 Clutch	RB10 Bracket	60mm
RB10 Clutch + Spring	RB10 Bracket	60mm
RB10 Clutch	RB10 Bracket	60mm RB56 Coupler
RB10 Clutch + Spring	RB10 Bracket	60mm RB56 Coupler

Outside Specifications

*For optimal performance shades need to maintain 4:1 ratio of length to width. Shades can be outside this ratio however shade performance could be impacted

**Exceeding these values may cause fabric tracking issues

***Coupled shades are available for larger shades

DML-50

DUAL MANUAL TOP DOWN ROLLER SHADE WITH CLUTCH SYSTEM

FEATURES:

- Contemporary and compact roller shade system
- Field upgradable to motorization DMS - 50
- Fabric wrapped fascia available
- Extendable idle

BENEFITS:

- Compact and strong
- Smooth operation
- Simple installation
- Available with DC or Battery Motors
- Extendable idle
- Short bracket
- Small light gaps
- Available as crank operation

SYSTEM INDEX

1. CLUTCH

Available in White, Gray and Black

2. TUBE

- A. 45mm Tube
- B. 49mm Tube

3. SLIMLINE DUAL BRACKET

Available in White, Gray and Black

4. SQUARE DUAL BRACKET

Available in White, Gray and Black

5. IDLER

Available in White, Gray and Black

6. HEMBAR

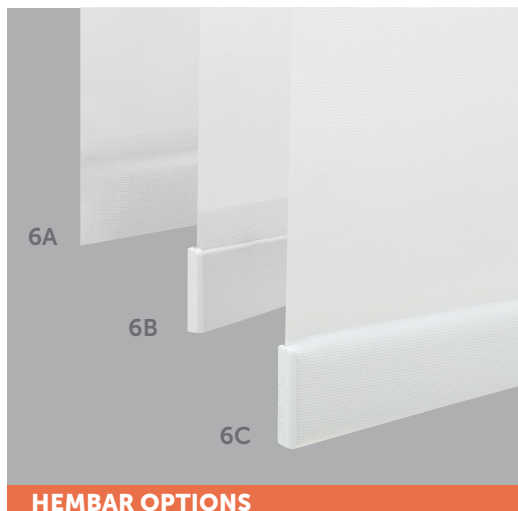
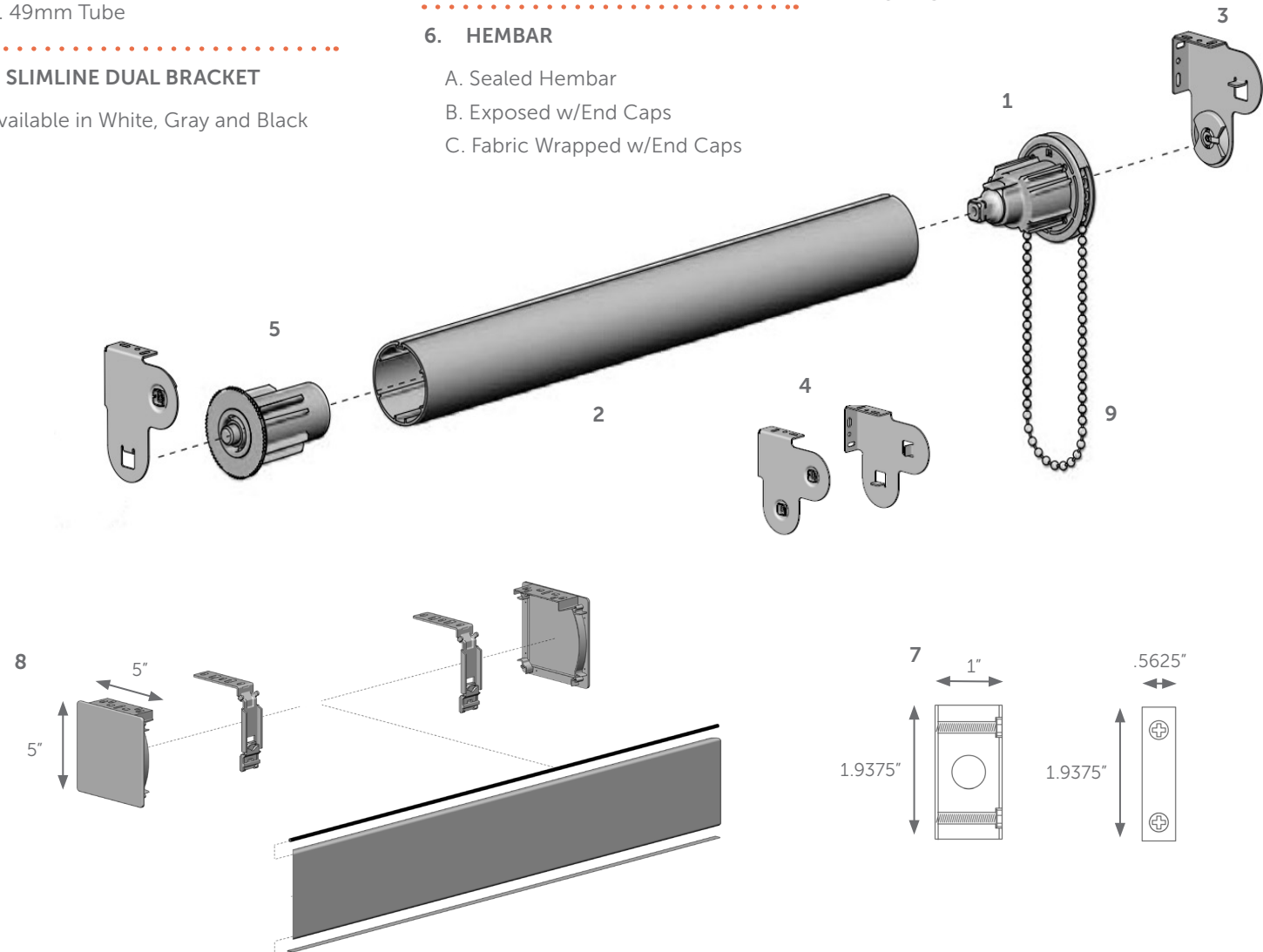
- A. Sealed Hembar
- B. Exposed w/End Caps
- C. Fabric Wrapped w/End Caps

7. CHAIN HOLD DOWN

Available in White, Gray and Black

8. OPTIONAL FASCIA SYSTEM

9. CHAIN

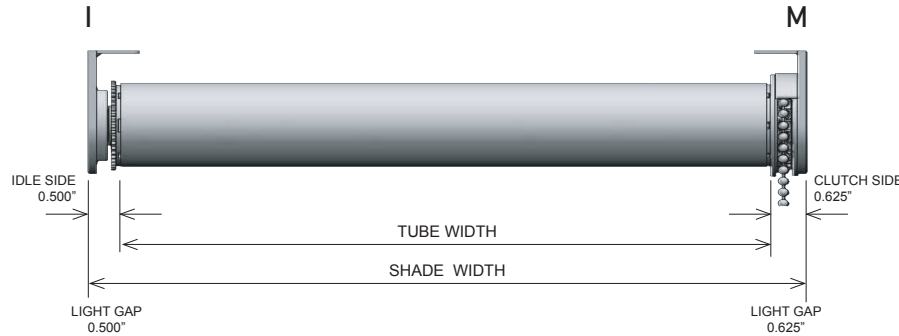


HEMBAR OPTIONS

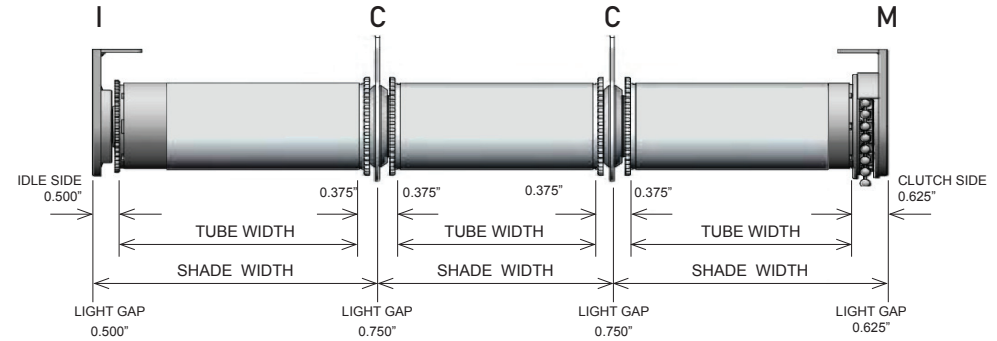
DML-50

DUAL MANUAL TOP DOWN ROLLER SHADE WITH CLUTCH SYSTEM

SHADE DEDUCTIONS

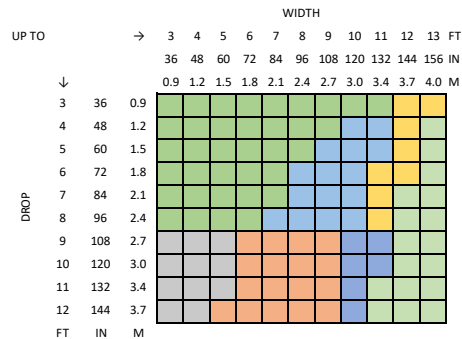


COUPLED SHADE DEDUCTIONS



DRIVE	BRACKETS	IDLE SIDE	COUPLER SIDE	CLUTCH SIDE	OVERALL DEDUCTION
M-I	WITH FASCIA END CAPS	0.625" (15.9mm)		0.750" (19.1mm)	1.375" (34.9mm)
	WITHOUT FASCIA END CAPS	0.500" (12.7mm)		0.625" (15.9mm)	1.125" (28.6mm)
I-C	WITH FASCIA END CAPS	0.625" (15.9mm)	0.375" (9.5mm)		1.00" (25.4mm)
	WITHOUT FASCIA END CAPS	0.500" (12.7mm)	0.375" (9.5mm)		0.875" (22.2mm)
C-C	WITH FASCIA END CAPS		0.750" (19.1mm)		0.750" (19.1mm)
	WITHOUT FASCIA END CAPS		0.750" (19.1mm)		0.750" (19.1mm)
M-C	WITH FASCIA END CAPS		0.375" (9.5mm)	0.750" (19.1mm)	1.125" (28.6mm)
	WITHOUT FASCIA END CAPS		0.375" (9.5mm)	0.625" (15.9mm)	1.00" (25.4mm)

DML-50 SYSTEM CAPACITY

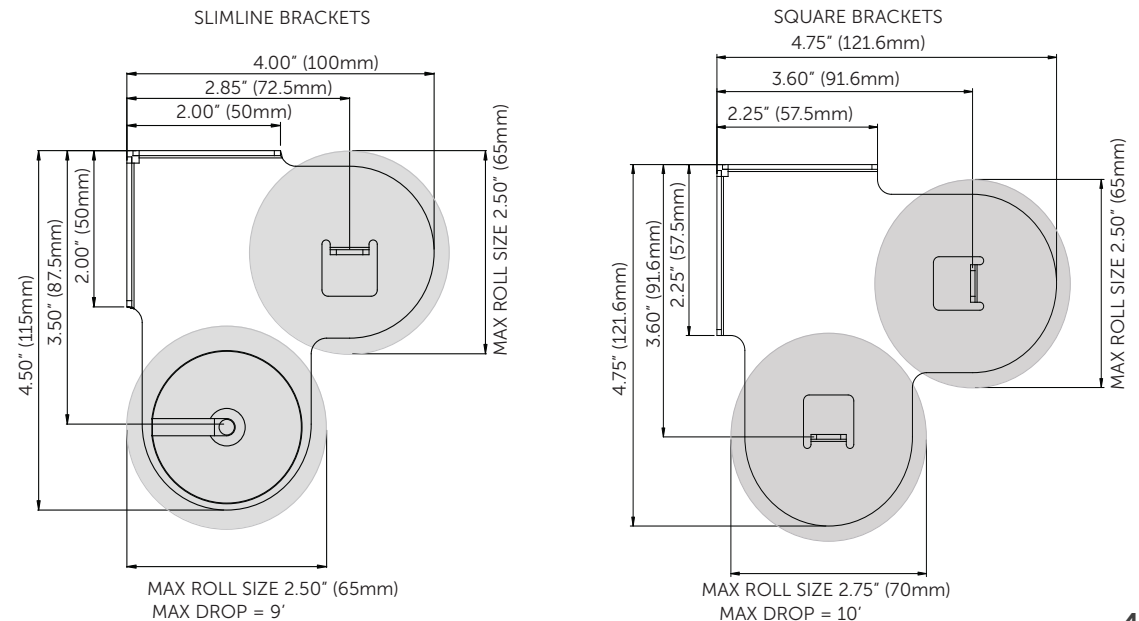


Parameters
 Fabric Weight (oz/sq yd): 13.30
 Fabric Thickness (in): 0.02
 Hembar Weight (oz/ft): 2.75

CONTROL	BRACKET	TUBE
RB07 Clutch	Slimline Bracket	45mm
RB07 Clutch + Spring	Slimline Bracket	45mm
RB07 Clutch + Spring	Slimline Bracket	49mm
RB07 Clutch	Square Bracket	45mm
RB07 Clutch + Spring	Square Bracket	45mm
RB07 Clutch + Spring	Square Bracket	49mm
RB07 Clutch + Spring	Square Bracket	45mm/49mm Square Coupler

Outside Specifications
 *For optimal performance shades need to maintain 4:1 ratio of length to width. Shades can be outside this ratio however shade performance could be impacted
 **Exceeding these values may cause fabric tracking issues
 ***Coupled shades are available for larger widths

MAX ROLL



MS-30

MOTORIZED TOP DOWN ROLLER SHADE WITH MOTOR SYSTEM

FEATURES:

- Contemporary and compact roller shade system
- Fabric wrapped fascia available
- Extendable idle
- Available as coupled shade

BENEFITS:

- Compact and strong
- Smooth operation
- Simple installation
- Available with DC or Battery Motors
- Extendable idle
- Short bracket
- Small light gaps

SYSTEM INDEX

1. MOTOR

2. TUBE

- A. 45mm Tube
- B. 49mm Tube

3. MOTOR BRACKET

Available in White, Gray and Black

4. IDLE BRACKET

Available in White, Gray and Black

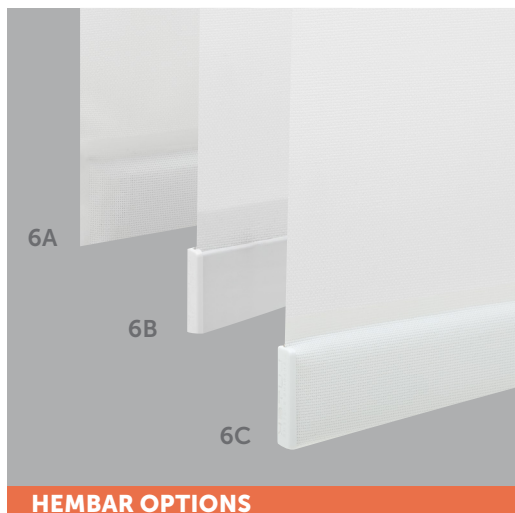
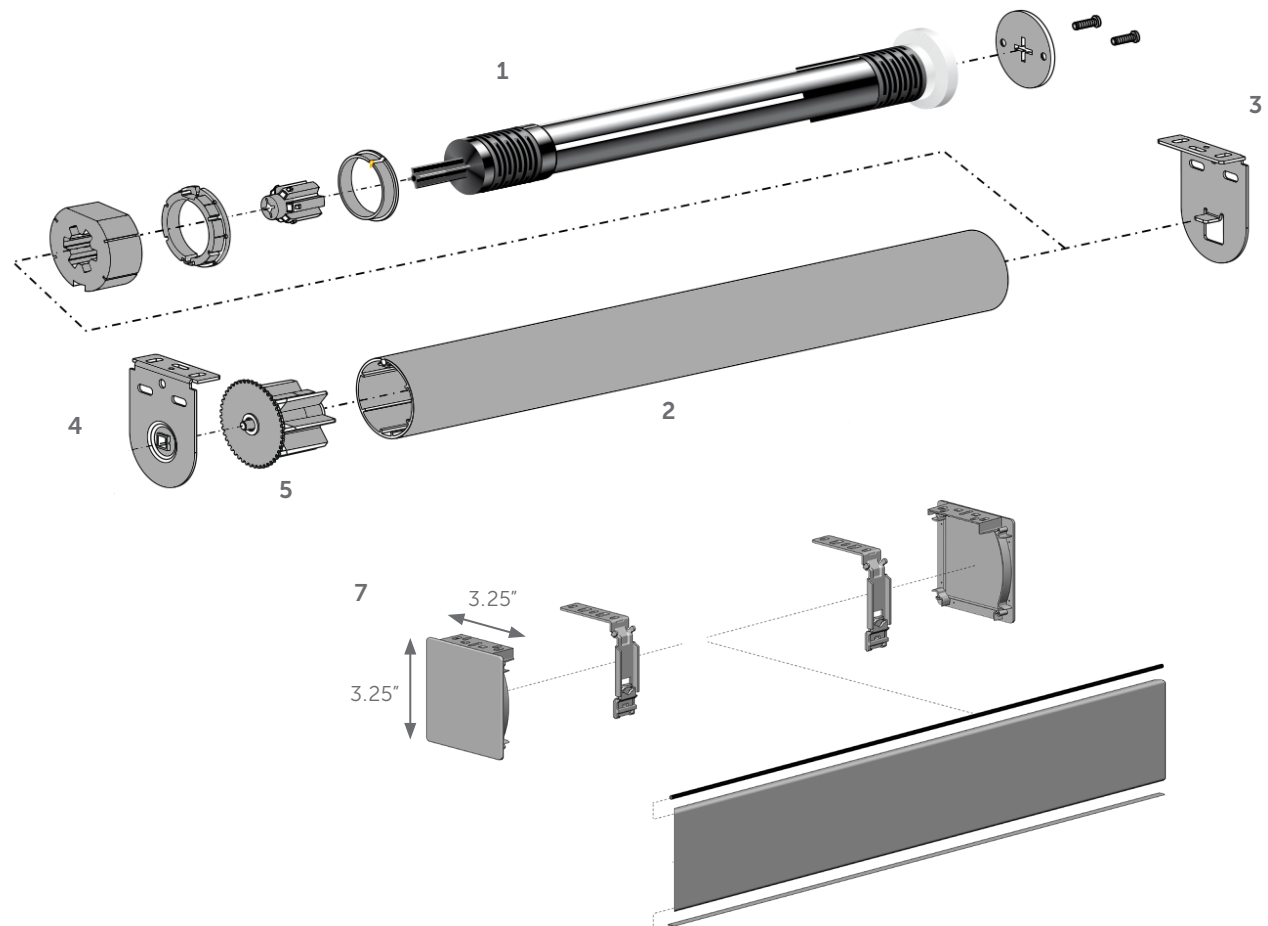
5. IDLER

Available in White, Gray and Black

6. HEMBAR

- A. Sealed Hembar
- B. Exposed w/End Caps
- C. Fabric Wrapped w/End Caps

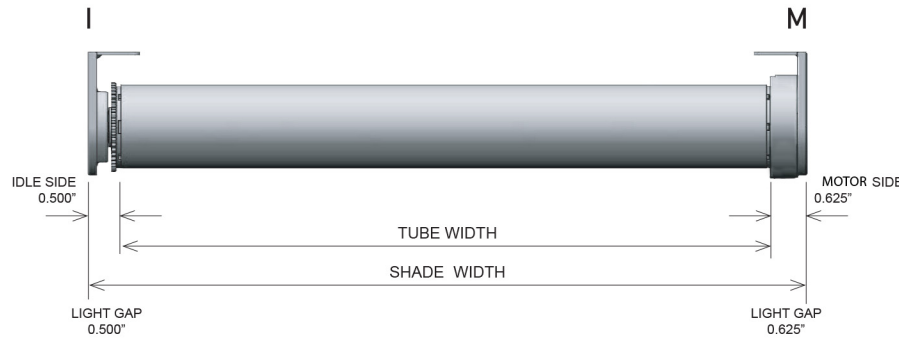
7. OPTIONAL FASCIA SYSTEM



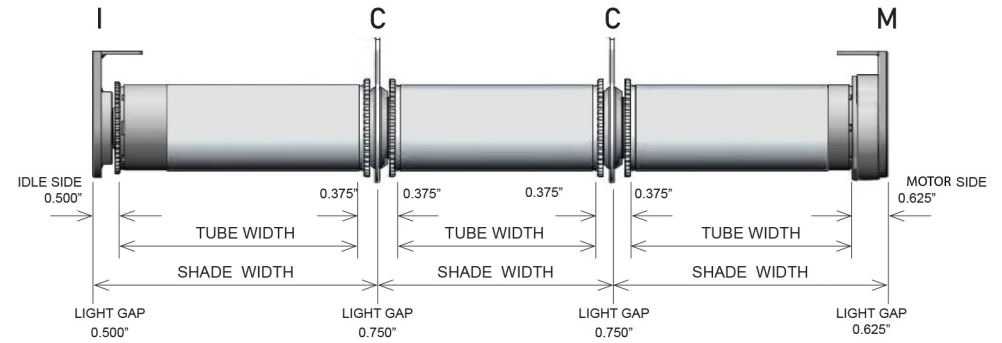
MS-30

MOTORIZED TOP DOWN ROLLER SHADE WITH MOTOR SYSTEM

SHADE DEDUCTIONS

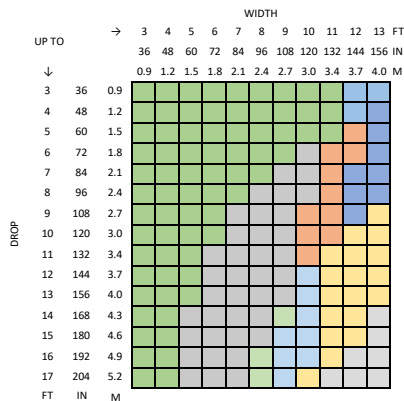


COUPLED SHADE DEDUCTIONS



DRIVE	BRACKETS	IDLE SIDE	COUPLER SIDE	CLUTCH SIDE	OVERALL DEDUCTION
M-I	WITH FASCIA END CAPS	0.625" (15.9mm)		0.750" (19.1mm)	1.375" (34.9mm)
	WITHOUT FASCIA END CAPS	0.500" (12.7mm)		0.625" (15.9mm)	1.125" (28.6mm)
I-C	WITH FASCIA END CAPS	0.625" (15.9mm)	0.375" (9.5mm)		1.00" (25.4mm)
	WITHOUT FASCIA END CAPS	0.500" (12.7mm)	0.375" (9.5mm)		0.875" (22.2mm)
C-C	WITH FASCIA END CAPS		0.750" (19.1mm)		0.750" (19.1mm)
	WITHOUT FASCIA END CAPS		0.750" (19.1mm)		0.750" (19.1mm)
M-C	WITH FASCIA END CAPS		0.375" (9.5mm)	0.750" (19.1mm)	1.125" (28.6mm)
	WITHOUT FASCIA END CAPS		0.375" (9.5mm)	0.625" (15.9mm)	1.00" (25.4mm)

MS-30 SYSTEM CAPACITY

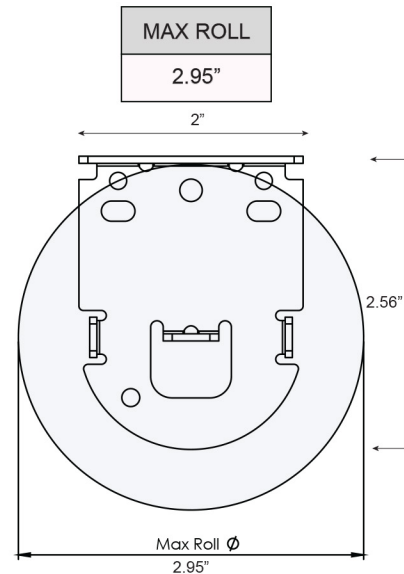


Parameters
 Fabric Weight (oz/sq yd): 13.30
 Fabric Thickness (in): 0.02
 Hembar Weight (oz/ft): 2.75

CONTROL	BRACKET	TUBE
1.1 Nm Motor	RT28/VX Bracket	45mm
1.1 Nm Motor	RT28/VX Bracket	49mm
1.1 Nm Motor	RT28/VX Bracket	45/49mm VX Coupler
2.0 Nm Motor	RT28/VX Bracket	45mm
2.0 Nm Motor	RT28/VX Bracket	49mm
2.0 Nm Motor	RT28/VX Bracket	45/49mm VX Coupler
3.0 Nm Motor	RT28/VX Bracket	45mm
3.0 Nm Motor	RT28/VX Bracket	49mm
3.0 Nm Motor	RT28/VX Bracket	45/49mm VX Coupler
4.0 Nm Motor	RT28/VX Bracket	45/49mm VX Coupler
6.0 Nm Motor	RT28/VX Bracket	45/49mm VX Coupler

Outside Specifications
 *For optimal performance shades need to maintain 4:1 ratio of length to width.
 Shades can be outside this ratio however shade performance could be impacted
 **Exceeding these values may cause fabric tracking issues
 ***coupled shades are available for larger widths

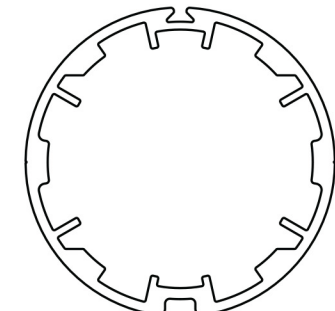
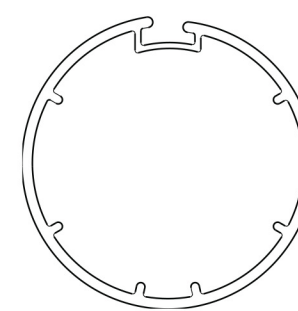
MAX ROLL



MAX DROP	
45mm	49mm
10'	

45mm Tube
 OD: 1.73"

49mm Tube
 OD: 1.93"



MS-40

MOTORIZED TOP DOWN ROLLER SHADE WITH MOTOR SYSTEM

FEATURES:

- Contemporary and compact roller shade system
- Fabric wrapped fascia available
- Extendable idle
- Available as coupled shade

BENEFITS:

- Compact and strong
- Smooth operation
- Simple installation
- Available with AC, DC or Battery Motors
- Extendable idle
- Short bracket
- Small light gaps

SYSTEM INDEX

1. MOTOR

2. TUBE

- A. 45mm Tube
- B. 49mm Tube

3. MOTOR BRACKET

Available in White, Gray and Black

4. IDLE BRACKET

Available in White, Gray and Black

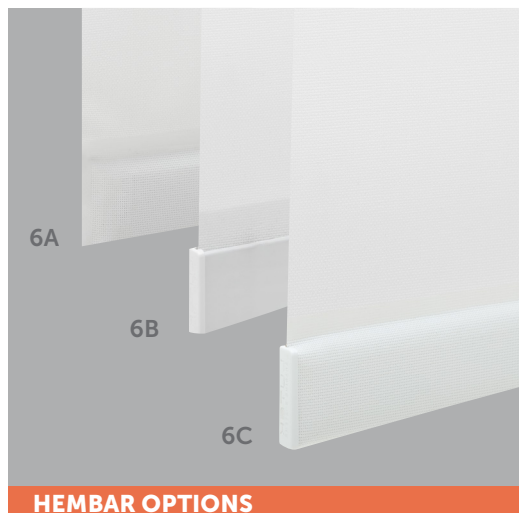
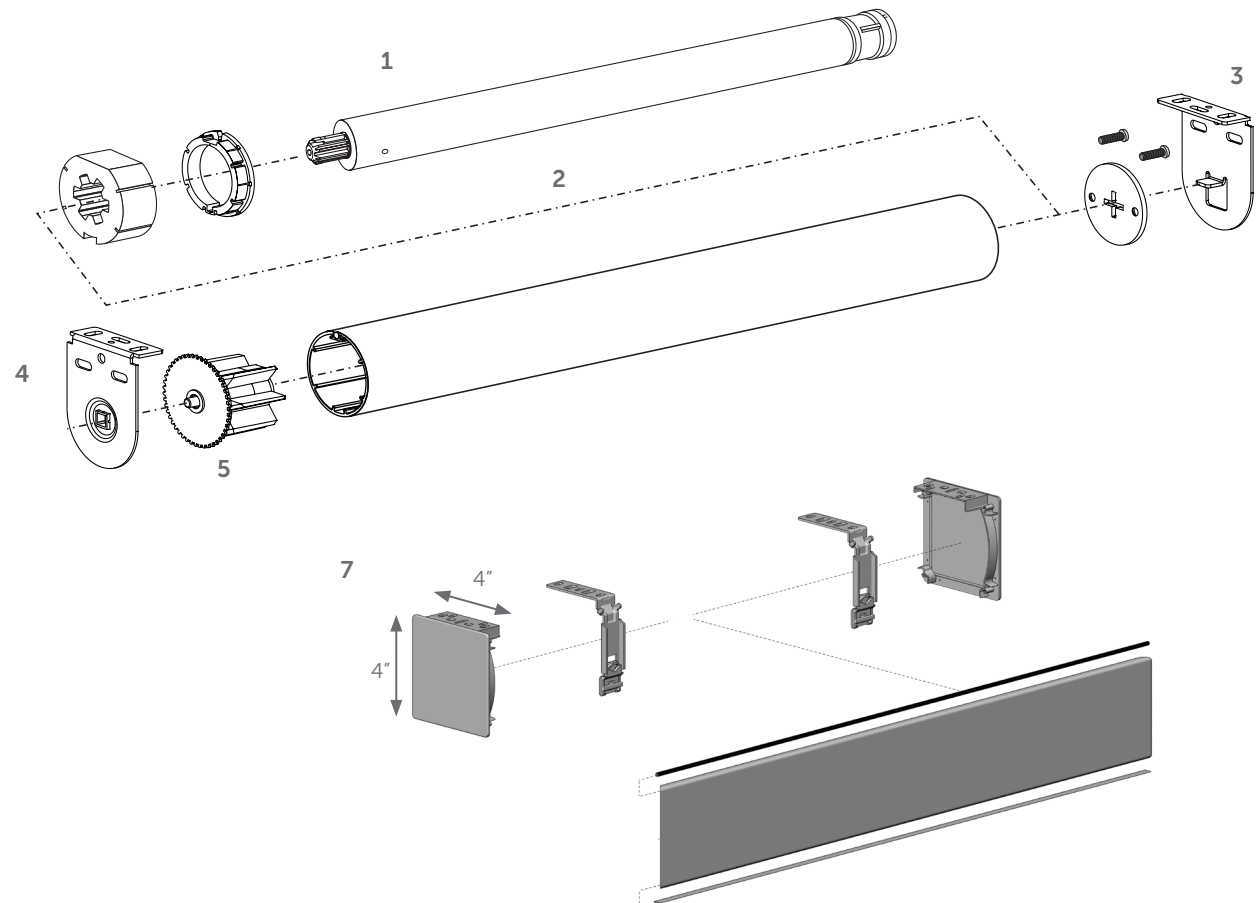
5. IDLER

Available in White, Gray and Black

6. HEMBAR

- A. Sealed Hembar
- B. Exposed w/End Caps
- C. Fabric Wrapped w/End Caps

7. OPTIONAL FASCIA SYSTEM

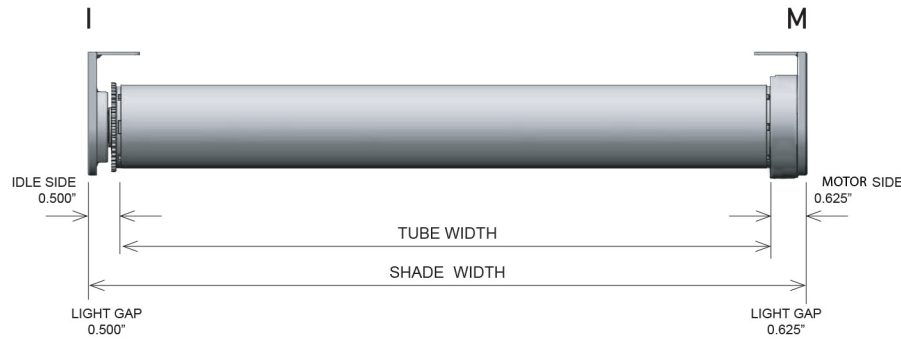


HEMBAR OPTIONS

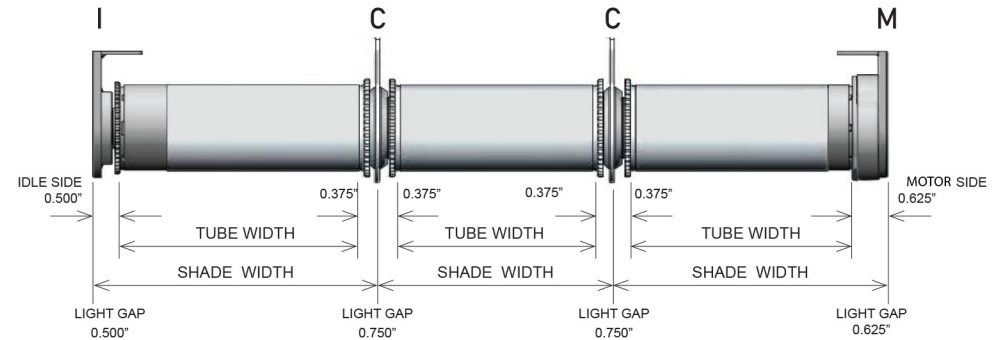
MS-40

MOTORIZED TOP DOWN ROLLER SHADE WITH MOTOR SYSTEM

SHADE DEDUCTIONS

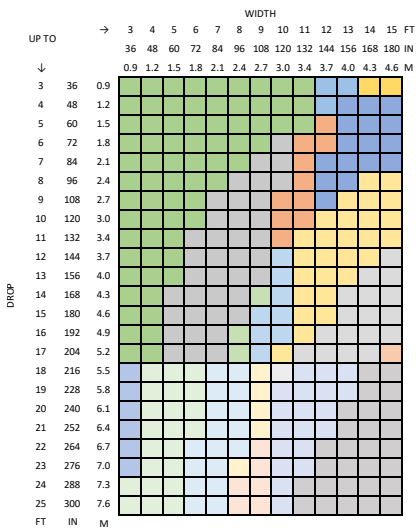


COUPLED SHADE DEDUCTIONS



DRIVE	BRACKETS	IDLE SIDE	COUPLER SIDE	CLUTCH SIDE	OVERALL DEDUCTION
M-I	WITH FASCIA END CAPS	0.625" (15.9mm)		0.750" (19.1mm)	1.375" (34.9mm)
	WITHOUT FASCIA END CAPS	0.500" (12.7mm)		0.625" (15.9mm)	1.125" (28.6mm)
I-C	WITH FASCIA END CAPS	0.625" (15.9mm)	0.375" (9.5mm)		1.00" (25.4mm)
	WITHOUT FASCIA END CAPS	0.500" (12.7mm)	0.375" (9.5mm)		0.875" (22.2mm)
C-C	WITH FASCIA END CAPS		0.750" (19.1mm)		0.750" (19.1mm)
	WITHOUT FASCIA END CAPS		0.750" (19.1mm)		0.750" (19.1mm)
M-C	WITH FASCIA END CAPS		0.375" (9.5mm)	0.750" (19.1mm)	1.125" (28.6mm)
	WITHOUT FASCIA END CAPS		0.375" (9.5mm)	0.625" (15.9mm)	1.00" (25.4mm)

MS-40 SYSTEM CAPACITY

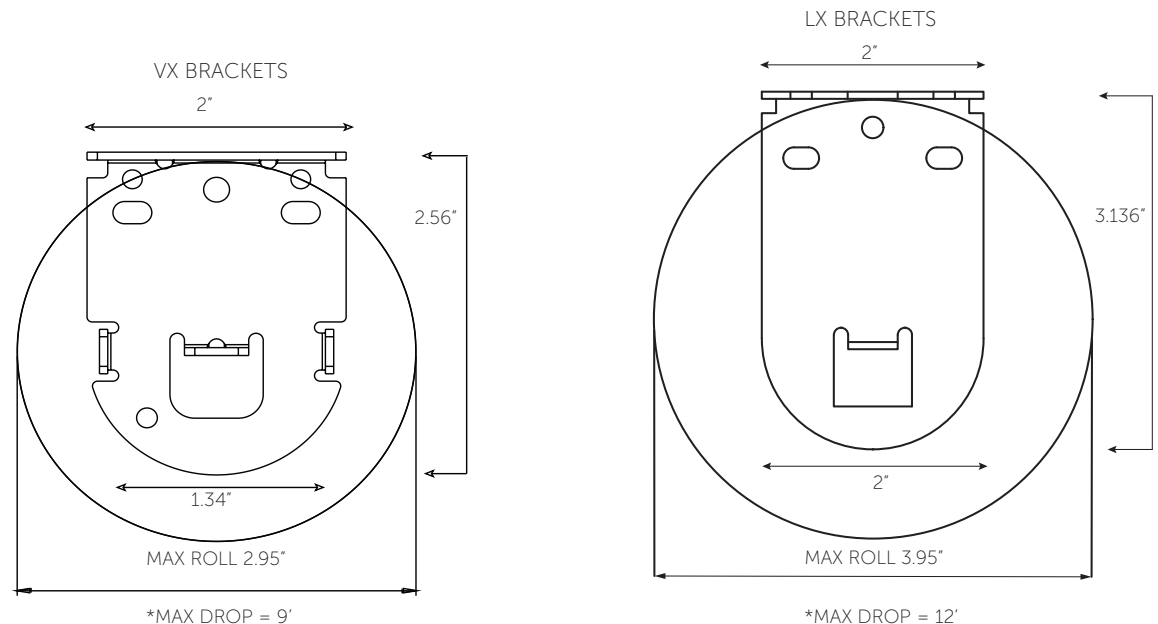


Parameters
 Fabric Weight (oz/sq yd): 13.30
 Fabric Thickness (in): 0.02
 Hembar Weight (oz/ft): 2.75

CONTROL	BRACKET	TUBE
1.1 Nm Motor	RT28/VX Bracket	45mm
1.1 Nm Motor	RT28/VX Bracket	49mm
1.1 Nm Motor	RT28/VX Bracket	45/49mm VX Coupler
2.0 Nm Motor	RT28/VX Bracket	45mm
2.0 Nm Motor	RT28/VX Bracket	49mm
2.0 Nm Motor	RT28/VX Bracket	45/49mm VX Coupler
3.0 Nm Motor	RT28/VX Bracket	45mm
3.0 Nm Motor	RT28/VX Bracket	49mm
3.0 Nm Motor	RT28/VX Bracket	45/49mm VX Coupler
4.0 Nm Motor	RT28/VX Bracket	45/49mm VX Coupler
6.0 Nm Motor	RT28/VX Bracket	45/49mm VX Coupler
1.1 Nm Motor	LX Bracket	45mm
2.0 Nm Motor	LX Bracket	45mm
3.0 Nm Motor	LX Bracket	45mm
3.0 Nm Motor	LX Bracket	49mm
3.0 Nm Motor	LX Bracket	45/49mm VX Coupler
4.0 Nm Motor	LX Bracket	49mm
4.0 Nm Motor	LX Bracket	45/49mm VX Coupler
6.0 Nm Motor	LX Bracket	45/49mm VX Coupler

Outside Specifications
 *For optimal performance shades need to maintain 4:1 ratio of length to width.
 Shades can be outside this ratio however shade performance could be impacted
 **Exceeding these values may cause fabric tracking issues
 ***Coupled shades available for larger widths

MAX ROLL



MS-50

MOTORIZED TOP DOWN ROLLER SHADE WITH MOTOR SYSTEM

FEATURES:

- Contemporary and compact roller shade system
- Fabric wrapped fascia available
- Available as coupled shade

BENEFITS:

- Compact and strong
- Smooth operation
- Simple installation
- Can be converted to motorized with AC, DC or Battery Motors

SYSTEM INDEX

1. MOTOR

2. TUBE

- A. 45mm Tube
- B. 49mm Tube

3. MOTOR BRACKET

Available in White and Black

4. IDLE BRACKET

Available in White, Gray and Black

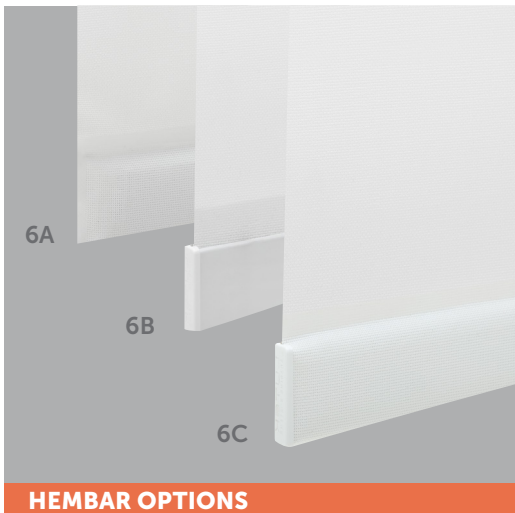
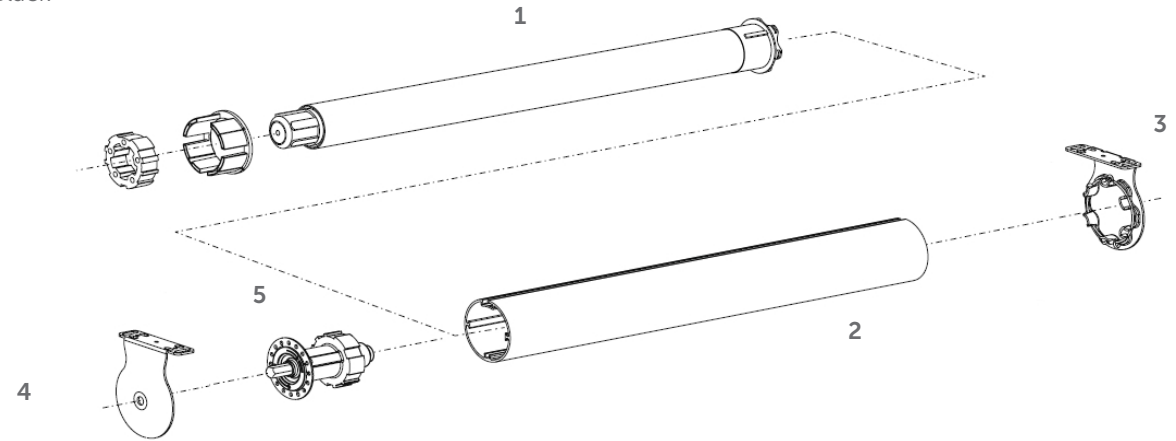
5. IDLER

Available in White, Gray and Black

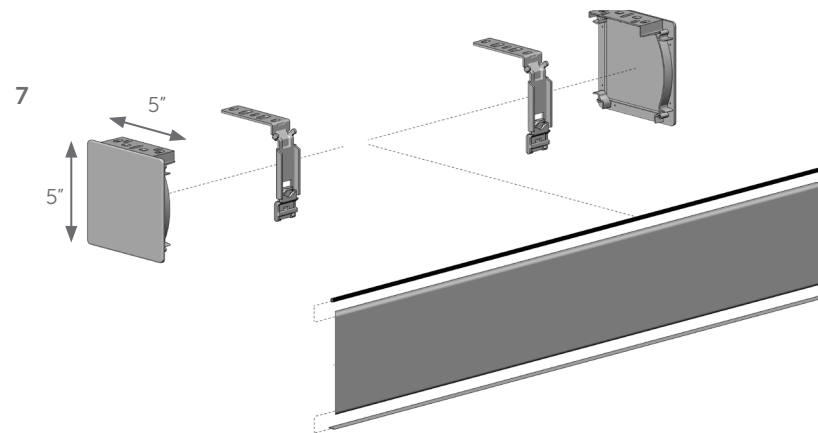
6. HEMBAR

- A. Sealed Hembar
- B. Exposed w/End Caps
- C. Fabric Wrapped w/End Caps

7. OPTIONAL FASCIA SYSTEM



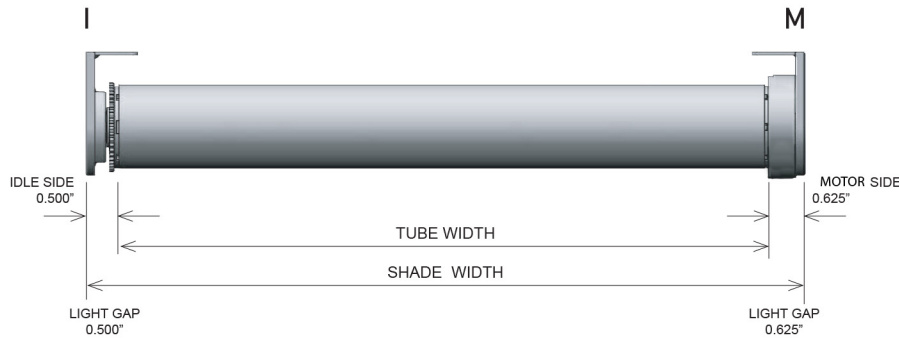
HEMBAR OPTIONS



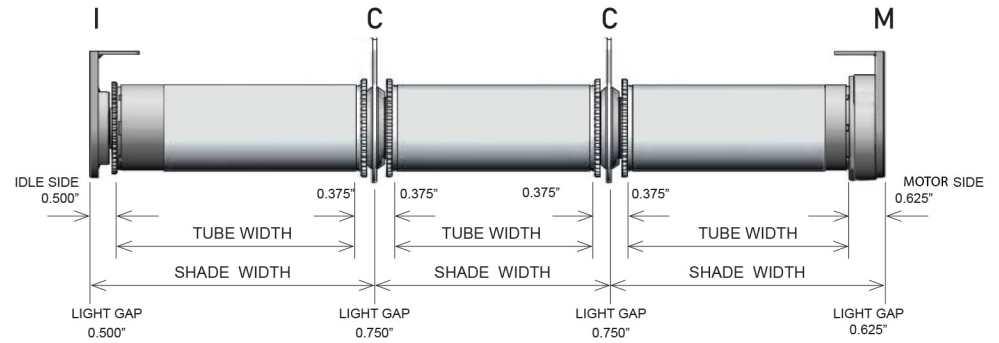
MS-50

MOTORIZED TOP DOWN ROLLER SHADE WITH MOTOR SYSTEM

SHADE DEDUCTIONS

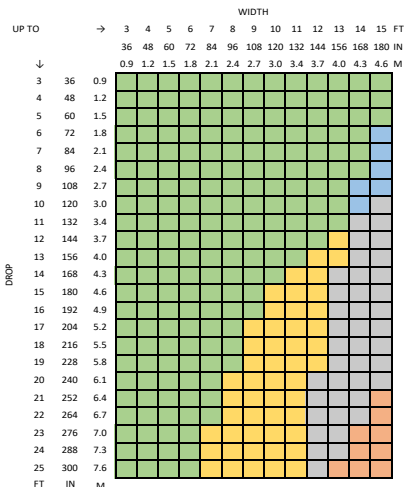


COUPLED SHADE DEDUCTIONS



DRIVE	BRACKETS	IDLE SIDE	COUPLER SIDE	CLUTCH SIDE	OVERALL DEDUCTION
M-I	WITH FASCIA END CAPS	0.625" (15.9mm)		0.750" (19.1mm)	1.375" (34.9mm)
	WITHOUT FASCIA END CAPS	0.500" (12.7mm)		0.625" (15.9mm)	1.125" (28.6mm)
I-C	WITH FASCIA END CAPS	0.625" (15.9mm)	0.375" (9.5mm)		1.00" (25.4mm)
	WITHOUT FASCIA END CAPS	0.500" (12.7mm)	0.375" (9.5mm)		0.875" (22.2mm)
C-C	WITH FASCIA END CAPS		0.750" (19.1mm)		0.750" (19.1mm)
	WITHOUT FASCIA END CAPS		0.750" (19.1mm)		0.750" (19.1mm)
M-C	WITH FASCIA END CAPS		0.375" (9.5mm)	0.750" (19.1mm)	1.125" (28.6mm)
	WITHOUT FASCIA END CAPS		0.375" (9.5mm)	0.625" (15.9mm)	1.00" (25.4mm)

MS-50 SYSTEM CAPACITY

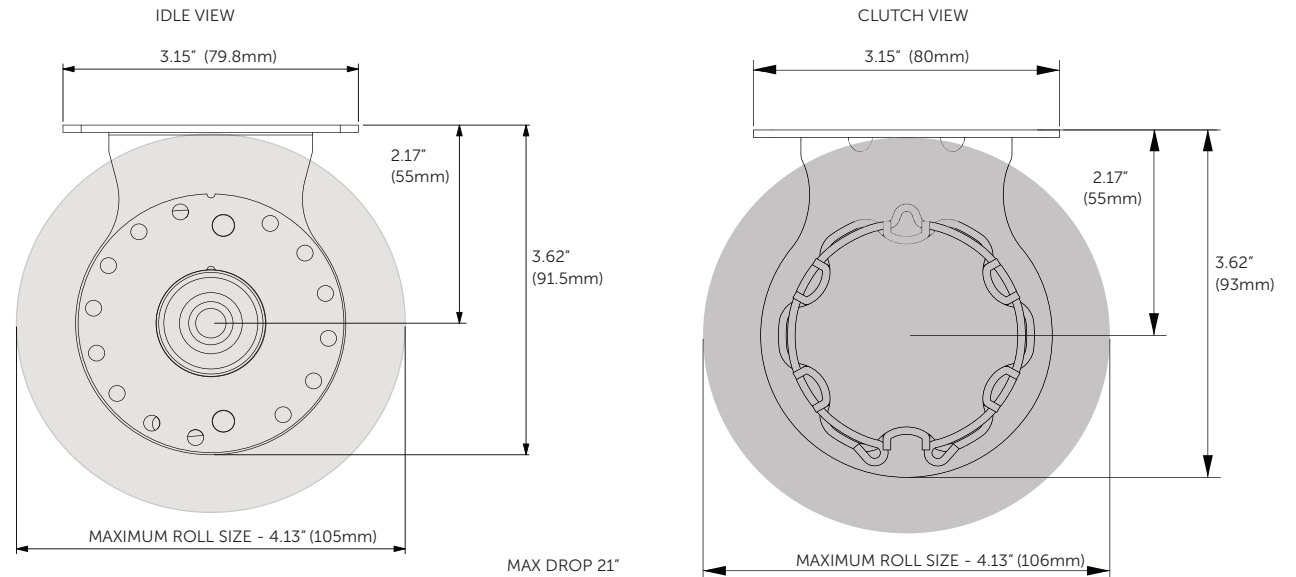


Parameters
 Fabric Weight (oz/sq yd): 13.30
 Fabric Thickness (in): 0.02
 Hembar Weight (oz/ft): 2.75

CONTROL	BRACKET	TUBE
3 Nm Motor	Star Head Bracket	60mm
3 Nm Motor	Star Head Bracket	60mm RB56 Coupler
6 Nm Motor	Star Head Bracket	60mm
6 Nm Motor	Star Head Bracket	60mm RB56 Coupler
10 Nm Motor	Star Head Bracket	60mm RB56 Coupler
15 Nm Motor	Star Head Bracket	60mm RB56 Coupler

Outside Specifications
 *For optimal performance shades need to maintain 4:1 ratio of length to width. Shades can be outside this ratio however shade performance could be impacted
 **Exceeding these values may cause fabric tracking issues
 ***Coupled shades available for larger widths

MAX ROLL



DMS-50

DUAL MOTORIZED TOP DOWN ROLLER SHADE WITH MOTOR SYSTEM

FEATURES:

- Contemporary and compact roller shade system
- Fabric wrapped fascia available
- Extendable idle
- Available as coupled shade

BENEFITS:

- Compact and strong
- Smooth operation
- Simple installation
- Available with AC, DC or Battery Motors
- Extendable idle
- Short bracket
- Small light gaps

SYSTEM INDEX

1. MOTOR

2. TUBE

- A. 45mm Tube
- B. 49mm Tube

3. SLIMLINE DUAL BRACKET

Available in White, Gray and Black

4. SQUARE DUAL BRACKET

Available in White, Gray and Black

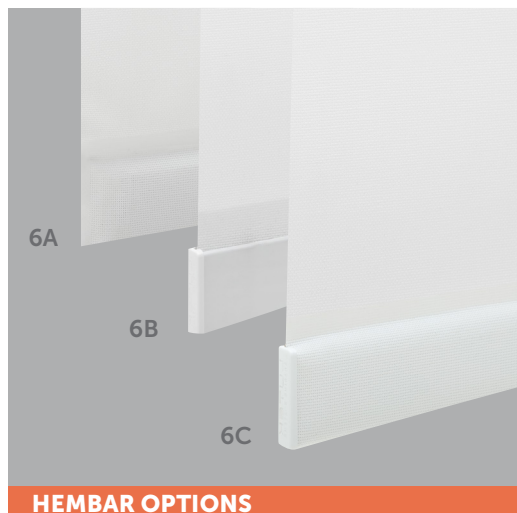
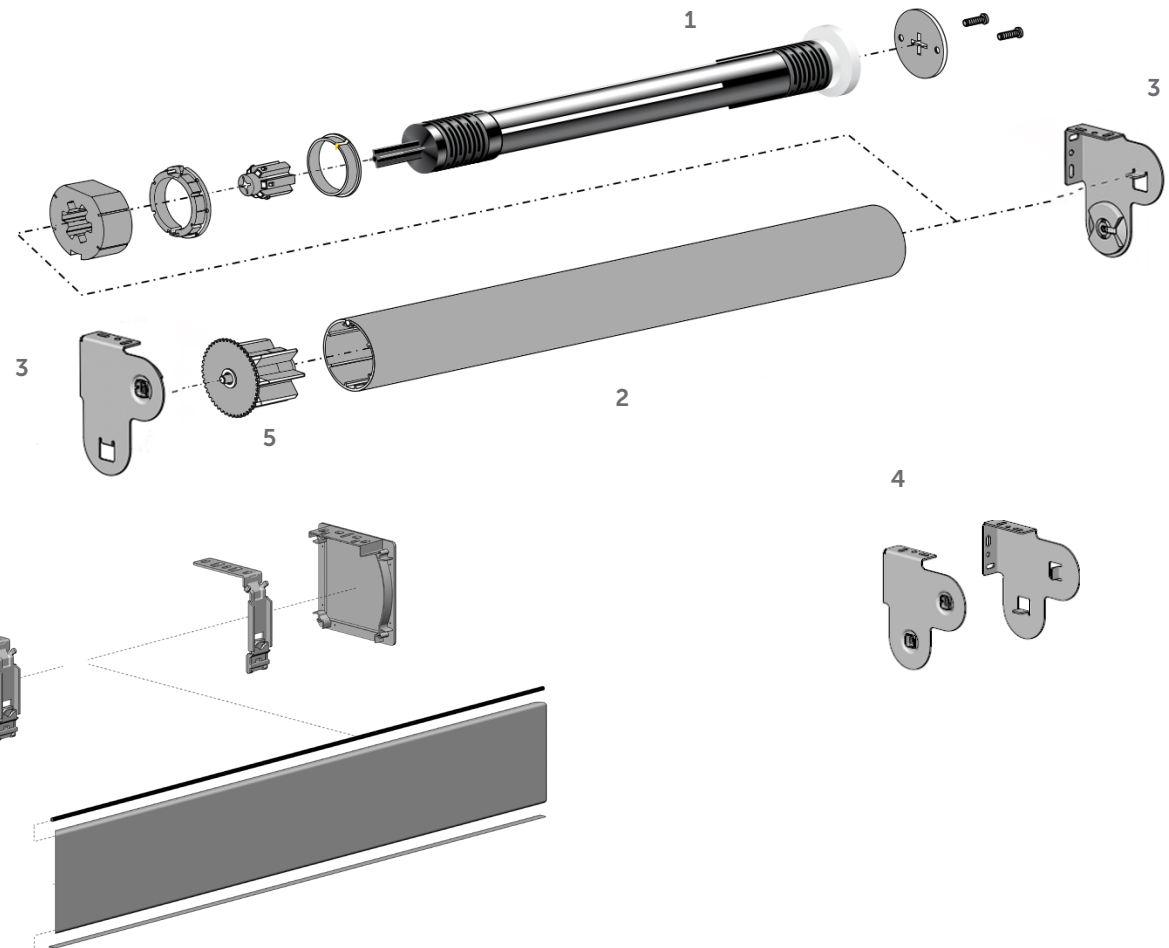
5. IDLER

Available in White, Gray and Black

6. HEMBAR

- A. Sealed Hembar
- B. Exposed w/End Caps
- C. Fabric Wrapped w/End Caps

7. OPTIONAL FASCIA SYSTEM

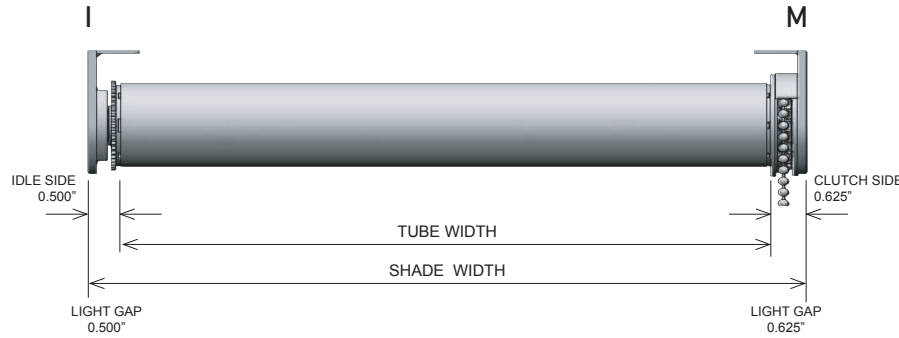


HEMBAR OPTIONS

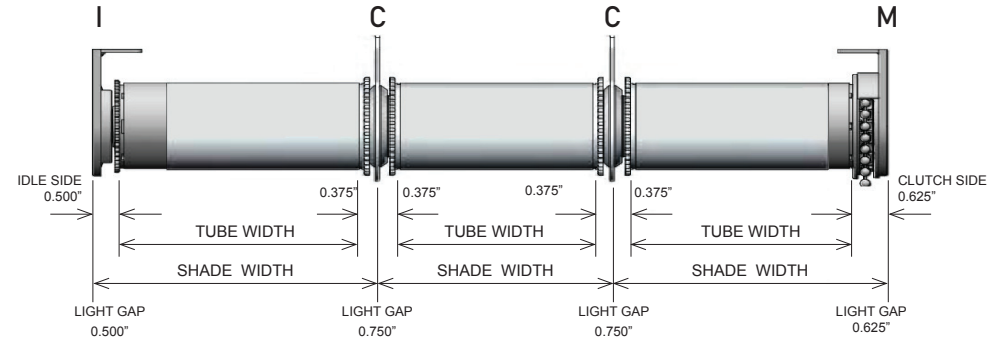
DMS-50

DUAL MOTORIZED TOP DOWN ROLLER SHADE WITH MOTOR SYSTEM

SHADE DEDUCTIONS

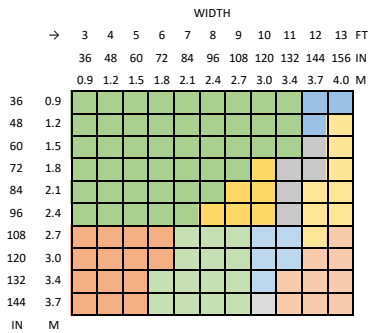


COUPLED SHADE DEDUCTIONS



DRIVE	BRACKETS	IDLE SIDE	COUPLER SIDE	CLUTCH SIDE	OVERALL DEDUCTION
M-I	WITH FASCIA END CAPS	0.625" (15.9mm)		0.750" (19.1mm)	1.375" (34.9mm)
	WITHOUT FASCIA END CAPS	0.500" (12.7mm)		0.625" (15.9mm)	1.125" (28.6mm)
I-C	WITH FASCIA END CAPS	0.625" (15.9mm)	0.375" (9.5mm)		1.00" (25.4mm)
	WITHOUT FASCIA END CAPS	0.500" (12.7mm)	0.375" (9.5mm)		0.875" (22.2mm)
C-C	WITH FASCIA END CAPS		0.750" (19.1mm)		0.750" (19.1mm)
	WITHOUT FASCIA END CAPS		0.750" (19.1mm)		0.750" (19.1mm)
M-C	WITH FASCIA END CAPS		0.375" (9.5mm)	0.750" (19.1mm)	1.125" (28.6mm)
	WITHOUT FASCIA END CAPS		0.375" (9.5mm)	0.625" (15.9mm)	1.00" (25.4mm)

DMS-50 SYSTEM CAPACITY



Parameters
 Fabric Weight (oz/sq yd): 13.30
 Fabric Thickness (in): 0.02
 Hembar Weight (oz/ft): 2.75

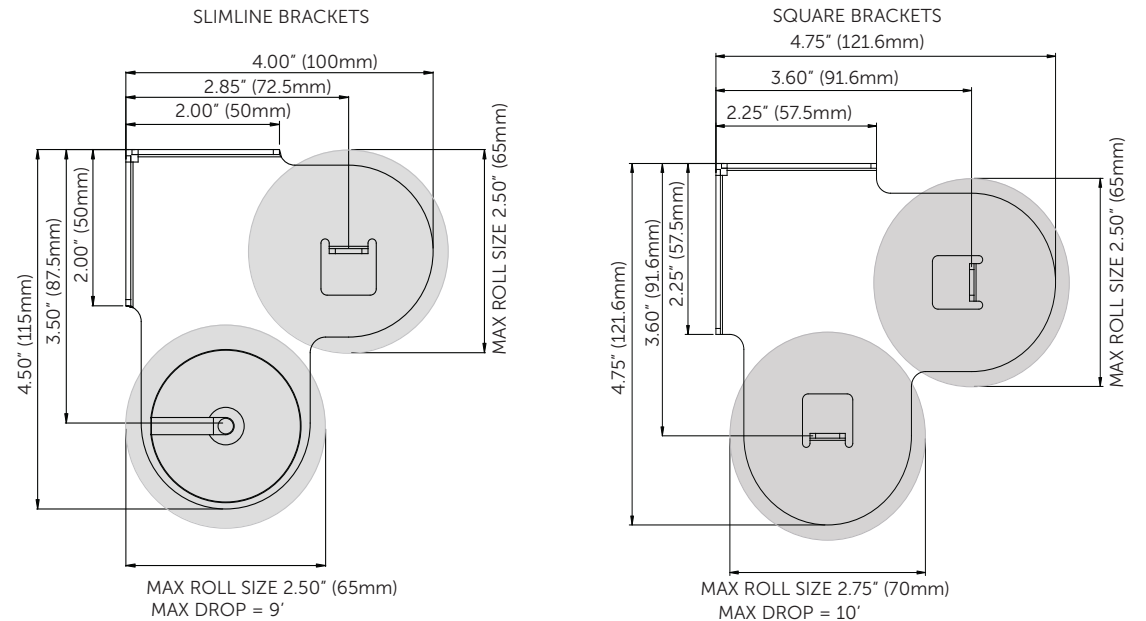
CONTROL	BRACKET	TUBE
1.1 Nm Motor	Slimline Bracket	45mm
1.1 Nm Motor	Slimline Bracket	49mm
2 Nm Motor	Slimline Bracket	45mm
2 Nm Motor	Slimline Bracket	49mm
1.1 Nm Motor	Square Bracket	45mm
1.1 Nm Motor	Square Bracket	45mm/49mm Square Coupler
2 Nm Motor	Square Bracket	45mm
2 Nm Motor	Square Bracket	49mm
2 Nm Motor	Square Bracket	45mm/49mm Square Coupler
3 Nm Motor	Square Bracket	49mm
3 Nm Motor	Square Bracket	45mm/49mm Square Coupler
4 Nm Motor	Square Bracket	45mm/49mm Square Coupler
6 Nm Motor	Square Bracket	45mm/49mm Square Coupler

Outside Specifications
 *For optimal performance shades need to maintain 4:1 ratio of length to width. Shades can be outside this ratio however shade performance could be impacted

**Exceeding these values may cause fabric tracking issues

***Coupled shades available for larger widths

MAX ROLL









Lutek Inc. • 5315 Xenon Street • Arvada, Colorado 80002
lutek.com • p: 303.650.6000 • f: 303.650.5222 • info@lu-tek.com